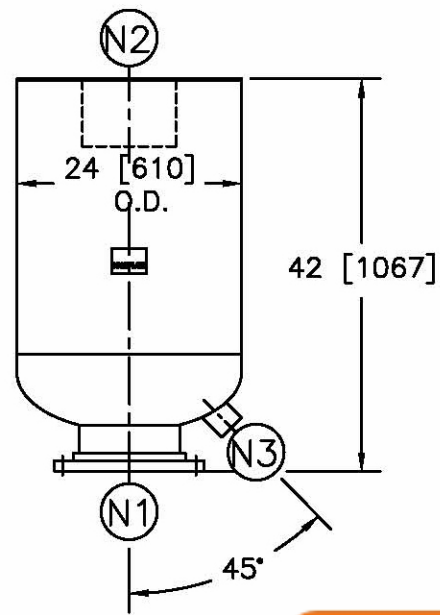


NOZZLE SCHEDULE

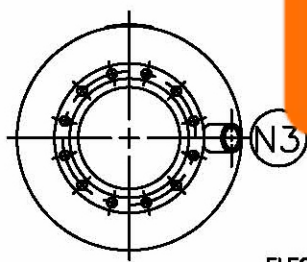
| ITEM | QTY. | NAME   | DESCRIPTION              |
|------|------|--------|--------------------------|
| N1   | 1    | INLET  | 10" 150# RFSO ASME B16.5 |
| N2   | 1    | OUTLET | 10" STD. WGT. PIPE       |
| N3   | 1    | DRAIN  | 2" NPT 3000# COUPLING    |

| REV | DATE     | CHANGE    | ECR  | BY | APP |
|-----|----------|-----------|------|----|-----|
| A   | 02/14/07 | NEW ISSUE | E466 | LH | FJM |



NOTES:

1. ALL DIMENSIONS ARE IN INCHES [MM].
2. ALL BOLT HOLES ARE TO STRADDLE NATURAL CENTERLINES.
3. SHIPPING WEIGHT: 400 POUNDS.
4. DESIGN DATA:  
 DESIGN PRESSURE— ATMOSPHERIC  
 DESIGN TEMPERATURE— AMBIENT  
 CORROSION ALLOWANCE— 0 INCHES
5. MATERIAL: 304/304L S. STEEL



Click Here  
For Your Free Quote

ELECTRONIC FILE NAME:  
SD10EHS.DWG

TOLERANCES UNLESS OTHERWISE SPECIFIED  
PER ENGINEERING STANDARD ES- ---

UNAUTHORIZED USE, MANUFACTURE OR  
REPRODUCTION IN WHOLE OR IN PART IS  
PROHIBITED.



|                 |
|-----------------|
| CUSTOMER:       |
| REG. NO.:       |
| P.O. NO.:       |
| TAG NO.:        |
| PART NO.: 10EHS |

FACTORY DIRECT PIPELINE PRODUCTS, INC.  
<http://www.wright-austin.com>

NAME 10" TYPE "40-EHMF" EXHAUST  
HEAD 150# FLG S. STEEL

|          |               |            |               |
|----------|---------------|------------|---------------|
| DRAWN LH | DATE 02/14/07 | CHECKED FM | DATE 02/15/07 |
| APP FJM  | DATE 02/15/07 | SCALE NTS  | ECR E466      |
| SIZE A   | DWG NO        | SD10EHS    |               |
|          |               |            | REV A         |