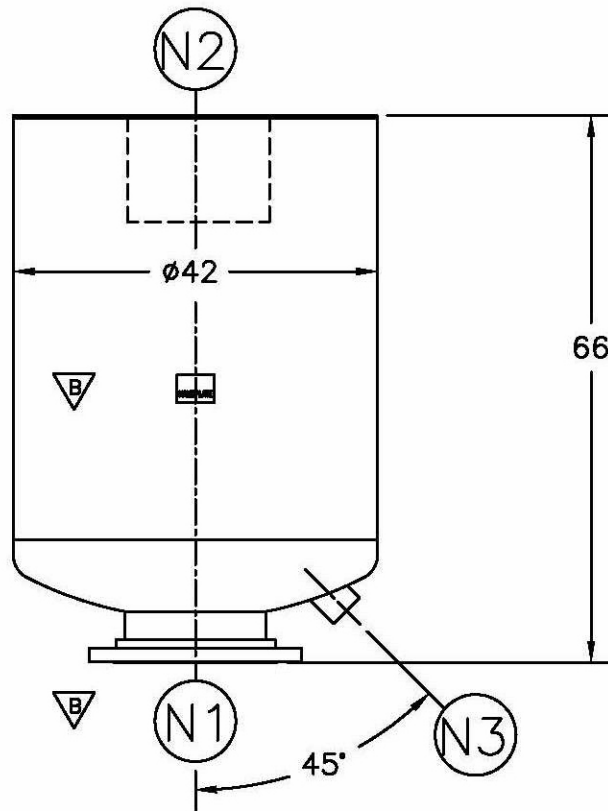


NOZZLE SCHEDULE

ITEM	QTY.	NAME	DESCRIPTION
N1	1	INLET	18" - 150# RFSO ASME B16.5
N2	1	OUTLET	18" - STD. WT. PIPE
N3	1	DRAIN	3" NPT 3000# COUPLING

REV	DATE	CHANGE	ECR	BY	APP
A	10/27/00	NEW ISSUE	8978	GC	FG
B	12/05/03	DELETED NAMEPL. BRACKET, NAMEPL., INLET TAG, ADDED EXHAUST HEAD NAMEPL.	B892	LH	FM
C	11/1/05	REVISED TITLE BLOCK	D507	FM	LH



NOTES:

1. ALL DIMENSIONS ARE IN INCHES.
2. ALL BOLT HOLES ARE TO STRADDLE NATURAL CENTERLINES.
3. SHIPPING WEIGHT: 1175 POUNDS.
4. DESIGN DATA:

DESIGN PRESSURE-	ATMOSPHERIC
DESIGN TEMPERATURE-	AMBIENT
CORROSION ALLOWANCE-	0 INCHES
5. MATERIAL: CARBON STEEL.

ELECTRONIC FILE NAME:
SD18EHC.DWG

TOLERANCES UNLESS OTHERWISE SPECIFIED
PER ENGINEERING STANDARD ES- --

UNAUTHORIZED USE, MANUFACTURE OR
REPRODUCTION IN WHOLE OR IN PART IS
PROHIBITED.

CUSTOMER:
REG. NO.:
P.O. NO.:
TAG NO.:
PART NO.: 18EHC



FACTORY DIRECT PIPELINE PRODUCTS, INC.
<http://www.wright-austin.com>

NAME **18" TYPE "40-EHMF" EXHAUST
HEAD 150# FLG (CSTL)**

DRAWN	GC	DATE	10/27/00	CHECKED	FG	DATE	10/27/00
APP	--	DATE	--	SCALE	NTS	ECR	
SIZE	DWG	SD18EHC				REV	
A	NO					C	