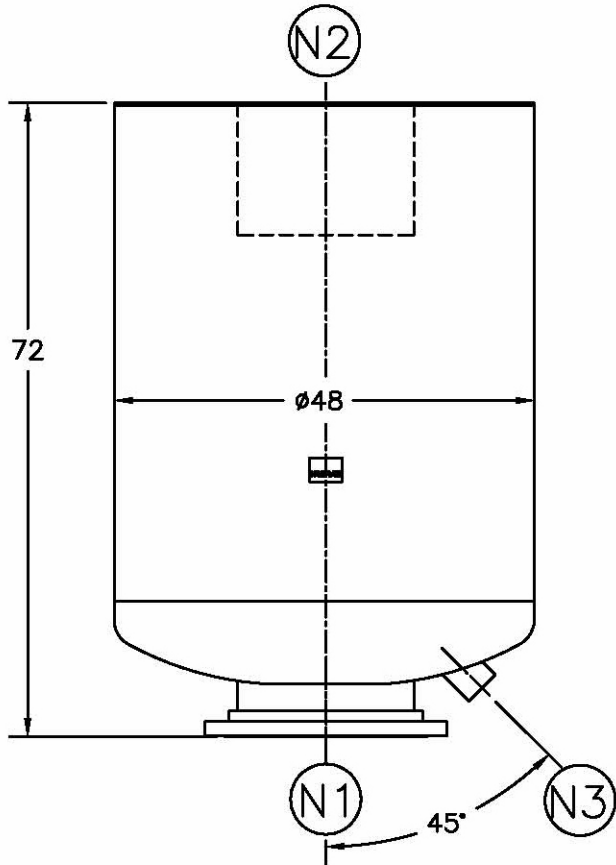


NOZZLE SCHEDULE

ITEM	QTY.	NAME	DESCRIPTION
N1	1	INLET	20" - ANSI CLASS 150 RFSO
N2	1	OUTLET	20" - STD WT. PIPE
N3	1	DRAIN	3" NPT 3000# CPLG

REV	DATE	CHANGE	ECR	BY	APP
A	12/08/03	NEW ISSUE	B892	LH	VA
B	11/1/05	REVISED TITLE BLOCK	D507	FM	LH



NOTES:

1. ALL DIMENSIONS ARE IN INCHES.
2. ALL BOLT HOLES ARE TO STRADDLE NATURAL CENTERLINES.
3. SHIPPING WEIGHT: 1500 POUNDS.
4. DESIGN DATA:
 DESIGN PRESSURE- ATMOSPHERIC
 DESIGN TEMPERATURE- AMBIENT
 CORROSION ALLOWANCE- 0 INCHES
5. MATERIAL: CARBON STEEL.

CUSTOMER:
 REG. NO.:
 P.O. NO.:
 TAG NO.:
 PART NO.: 20EHRC

ELECTRONIC FILE NAME:
 SD20EHC.DWG

TOLERANCES UNLESS OTHERWISE SPECIFIED
 PER ENGINEERING STANDARD ES- ---

UNAUTHORIZED USE, MANUFACTURE OR
 REPRODUCTION IN WHOLE OR IN PART IS
 PROHIBITED.

	FACTORY DIRECT PIPELINE PRODUCTS, INC. http://www.wright-austin.com							
	NAME 20" TYPE "40-EHMFR" EXHAUST HEAD 150# FLG (CSTL)							
DRAWN	LH	DATE	12/08/03	CHECKED	FM	DATE	12/08/03	
APP	VA	DATE	12/08/03	SCALE	NTS	ECR	B892	
SIZE	A	DWG	NO	SD20EHC			REV	B