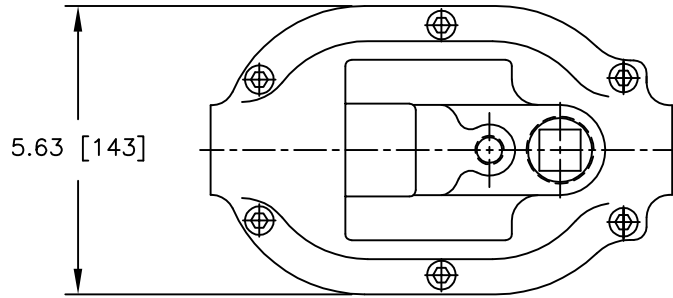


MODEL #	ORIFICE DIAMETER	DIFFERENTIAL PRESSURE (PSI), SPECIFY ORIFICE WITH ORDER												
		5	10	25	50	75	100	125	150	175	200	250	300	500
230-AC	7/32"	396	595	1075	1733	2205	2525	2800	-	-	-	-	-	-

ORDER REPAIR KIT PART NUMBER 230-0-4 WHICH PROVIDES A REPLACEMENT GASKET, FLOAT, LINKAGE, VALVE AND VALVE SEAT

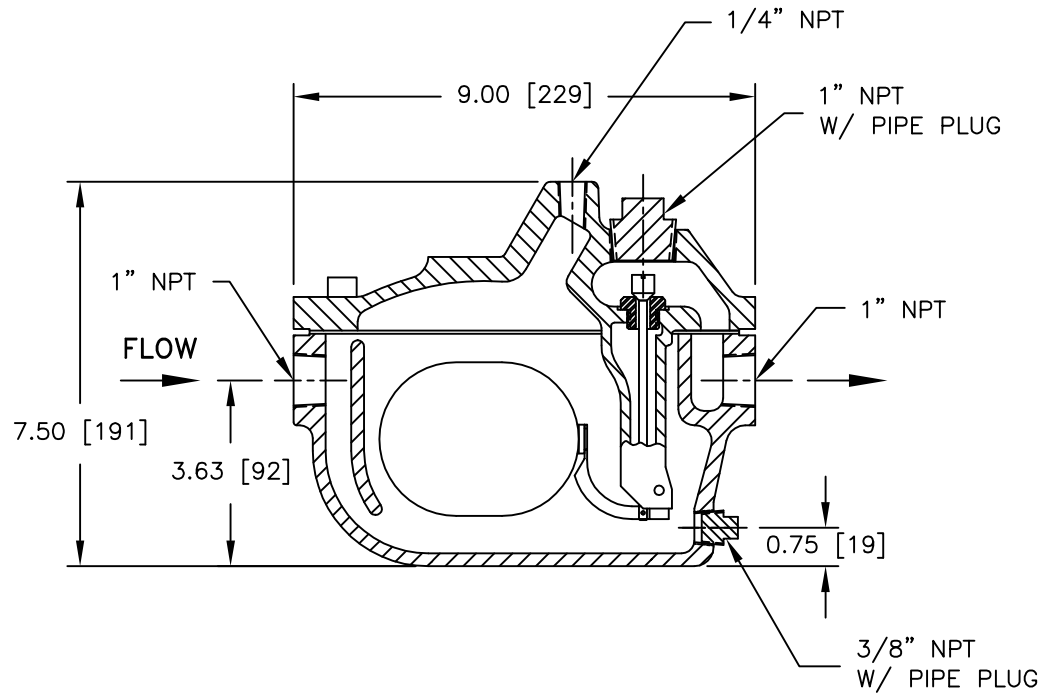


NOTES:

- ALL DIMENSIONS ARE IN INCHES [MM].
- DESIGN DATA:  
 DESIGN PRESSURE- 125 PSIG [8.6 BARS]  
 DESIGN TEMPERATURE- 450° F [232.2 °C]  
 MIN. DESIGN METAL TEMP.- -20° F @ 125 PSIG  
 [-28.9° C @ 8.6 BARS]
- MATERIAL: BODY & COVER - CAST IRON, SA-278 CLASS 30  
 INTERNALS - STAINLESS STEEL
- PART NO.: 230-ACN
- APPROX. WEIGHT: 25 LBS. [11.3 KG.]

**QUICK & DISCOUNTED PRICING**  
**CLICK HERE**  
 OR CALL (908) 362-9981

CERTIFIED FOR:  
 P.O. NO.:  
 S.O. NO.:  
 QUOTE NO.:  
 TAG NO.:



ELECTRONIC FILE NAME: SD230ACN.DWG  
 REF. ECR D507 DATE 10/18/05

UNAUTHORIZED USE, MANUFACTURE OR REPRODUCTION IN WHOLE OR IN PART IS PROHIBITED. DRAWING, DESIGN AND OTHER DISCLOSURES PROPERTY OF EATON FILTRATION, LLC

<b>EATON</b>		<b>EATON FILTRATION, LLC</b> 900 FAIRMOUNT AVENUE, ELIZABETH, NEW JERSEY 07207			
NAME		TYPE 230-ACN FLOAT DRAIN TRAP FOR COMPRESSED AIR & GAS SERVICE CAST IRON			
DRAWN	FM	DATE	6/3/04	CERT.	VAA
DATE	6/3/04	DATE	6/3/04	REV	C
SIZE	DWG NO	SD230ACN			REV
A					C