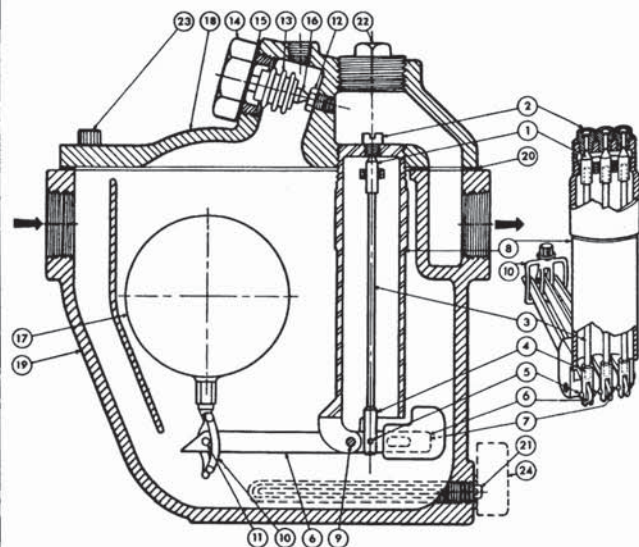


PARTS FOR 300C (STEAM) AND 300AC (AIR) SERIES COMBINATION "3-VALVE" TRAPS

(SPECIFY OPERATING PRESSURE)



ITEM NO.	PART NAME	NO. REQ'D	#318 (#30 AND #31) PART NO.	#320 (#32 AND #1) PART NO.	#330 (#33 AND #2) PART NO.	#340 (#34 AND #3) PART NO.	#350 (#36 AND #5) PART NO.	#370 (#38 AND #7) PART NO.
1	VALVE	3*	30-1-11	30-1-11	30-1-11	30-1-11	30-1-11	38-1-11
2	VALVE SEAT**	3*	30-2-12 (3/2")	32-1-12 (1/8")	33-1-12 (9/64")	34-1-12 (5/32")	36-1-12 (7/32")	38-2-12 (5/16")
3	VALVE STEM	3*	30-3-13	32-2-13	33-2-13	33-2-13	35-2-13	38-3-13
4	CLEVIS	3*	30-4-14	30-4-14	30-4-14	30-4-14	30-4-14	38-4-14
5	CLEVIS PIN	3*	1/8" x 3/8"	1/8" x 3/8"	1/8" x 3/8"	1/8" x 3/8"	1/8" x 3/8"	1/8" x 3/8"
6	OUTSIDE LEVER	2*	30-5-15	32-3-15	33-3-15	34-2-15	36-2-15	38-5-15
7	CENTER LEVER AND WEIGHT	1	30-6-16	32-4-16	33-4-16	34-3-16	36-3-16	38-6-16
8	TUBE	1	30-7-17	32-5-17	33-5-17	33-5-17	35-5-17	38-7-17
9	FULCRUM PIN	1	3/16" X 2"	3/16" X 2"	3/16" X 2"	3/16" X 2"	3/16" X 2"	3/16" X 2-3/8"
10	STIRRUP	1	30-8-18	30-8-18	30-8-18	30-8-18	35-6-18	38-8-18
11	STIRRUP PIN	1	3/16" X 1/2"	3/16" X 1/2"	3/16" X 1/2"	3/16" X 1/2"	3/16" X 5/8"	3/16" X 5/8"
	TUBE ASSEMBLY* (Items 1-11)	1	30-0-18	32-0-18	33-0-18	34-0-18	36-0-18	38-0-18
	THERMO ASSEMBLY (Items 12-16)	1	500-0-6	500-0-6	520-0-8	520-0-8	540-0-10	540-0-10
17	FLOAT (Stainless)	1	30-9-19	32-6-19	33-6-19	340-7-19	36-4-19	38-9-19
18	COVER	1	310-1	320-1	330-1	340-1	350-1	370-1
19	BODY (Specify Pipe Size)	1	310-2	320-2	330-2	340-2	350-2	370-2
20	GASKET	1	310-3	320-3	330-3	340-3	350-3	370-3
21	PLUG	1	3/4" NPT	1" NPT	1" NPT	1" NPT	1/2" NPT	3/4" NPT
22	PLUG	1	1-1/4" NPT	1-1/4" NPT	1-1/4" NPT	1-1/4" NPT	1-1/2" NPT	2" NPT
23	CAP SCREWS	SET	(8) 5/16" 24NF-1"	(10) 5/16" 24NF-1"	(10) 3/8" 24NF-1-1/4"	(10) 3/8" 24NF-1-1/4"	(10) 1/2" 20NF-1-3/4"	(14) 1/2" 20NF-2"
24	HEATING ELEMENT	1	-	-	-	-	-	-

*Prices are per set when more than one required per trap.

**Under 100 PSI a larger orifice diameter is used. For more information ask for Bulletin 814 (AIR) or 808 (STEAM).
Over 100 PSI - standard orifice sizes shown above.

For Installation instructions request TB-558

IMPORTANT - The Valve Seats ordered individually or as part of the Tube Assembly should specify the pressure at which trap is to operate.

When several parts require replacing, we recommend that the complete assembly be obtained. These are factory adjusted and inspected to insure peak performance and eliminate the uncertainty of adjusting new and old parts.

WRIGHT  AUSTIN



FACTORY DIRECT PIPELINE PRODUCTS, INC.
<http://www.wright-austin.com>

PB-670M