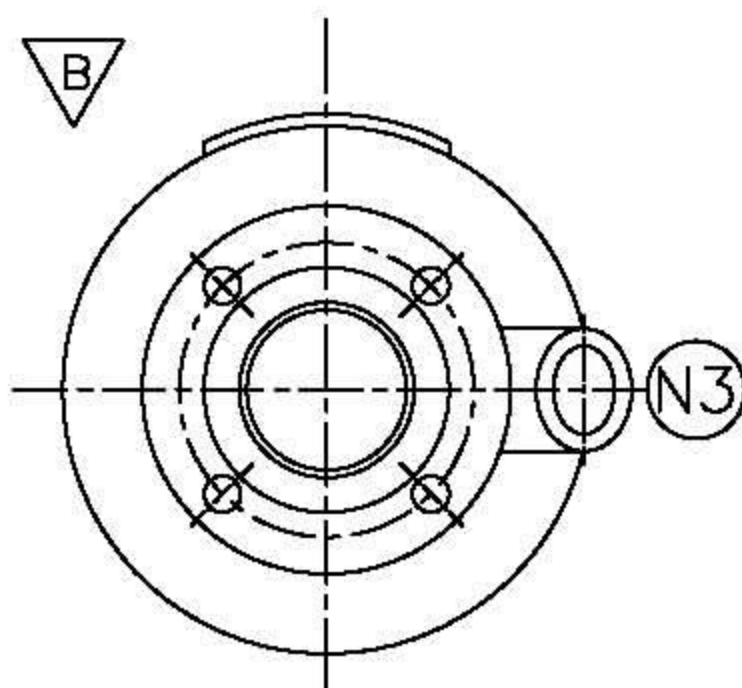
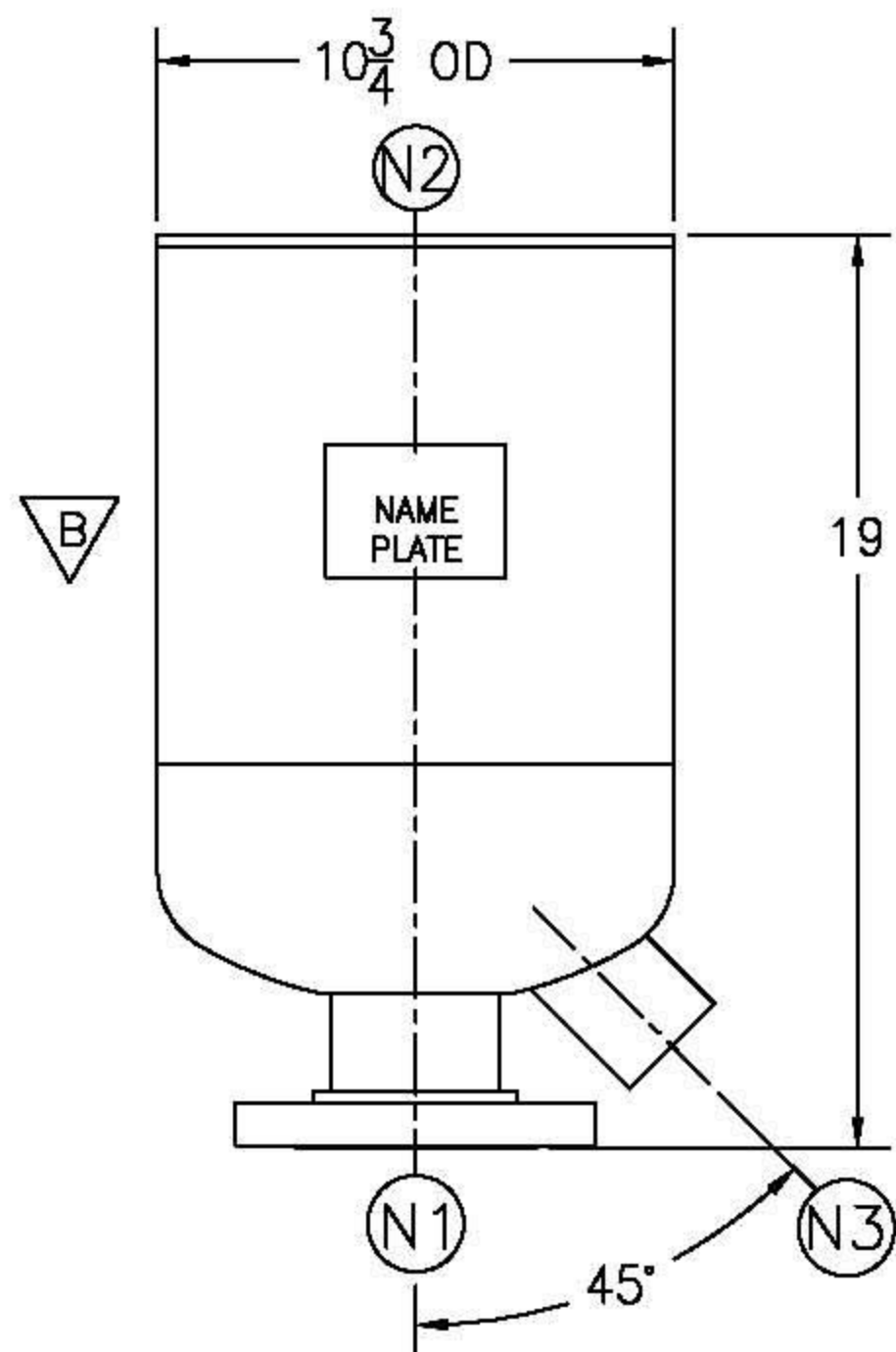


NOZZLE SCHEDULE				REV	DATE	CHANGE	ECR	BY	APP
ITEM	QTY.	NAME	DESCRIPTION						
N1	1	INLET	3" 150# RFSO ASME B16.5	A	04/06/99	NEW RELEASE	7379	AB	DP
N2	1	OUTLET	3" STD. WGT. PIPE	B	12/05/03	DELETED NAMEPL. BRACKET, NAMEPL., INLET TAG, ADDED EXHAUST HEAD NAMEPL.	B892	LH	FM
N3	1	DRAIN	1-1/2" NPT 3000# COUPLING	C	11/1/05	REVISED TITLE BLOCK	D507	FM	LH



[Click Here
For Your Free Quote](#)

NOTES:

1. ALL DIMENSIONS ARE IN INCHES.
2. ALL BOLT HOLES ARE TO STRADDLE NATURAL CENTERLINES.
3. SHIPPING WEIGHT: 65 POUNDS.
4. DESIGN DATA:

DESIGN PRESSURE--	ATMOSPHERIC
DESIGN TEMPERATURE--	AMBIENT
CORROSION ALLOWANCE--	0 INCHES
5. MATERIAL: CARBON STEEL.

CUSTOMER:
REG. NO.:
P.O. NO.:
TAG NO.:
PART NO.: 3EHC



FACTORY DIRECT PIPELINE PRODUCTS, INC.
<http://www.wright-austin.com>

NAME **3" TYPE "40-EHMF" EXHAUST
HEAD 150# FLG (CSTL)**

ELECTRONIC FILE NAME:
SD3EHC.DWG

TOLERANCES UNLESS OTHERWISE SPECIFIED
PER ENGINEERING STANDARD ES- --

UNAUTHORIZED USE, MANUFACTURE OR
REPRODUCTION IN WHOLE OR IN PART IS
PROHIBITED.

DRAWN	AB	DATE	04/06/99	CHECKED	DP	DATE	04/06/99
APP	--	DATE	--	SCALE	NTS	ECR	7379
SIZE	DWG	SD3EHC				REV	
A	NO					C	