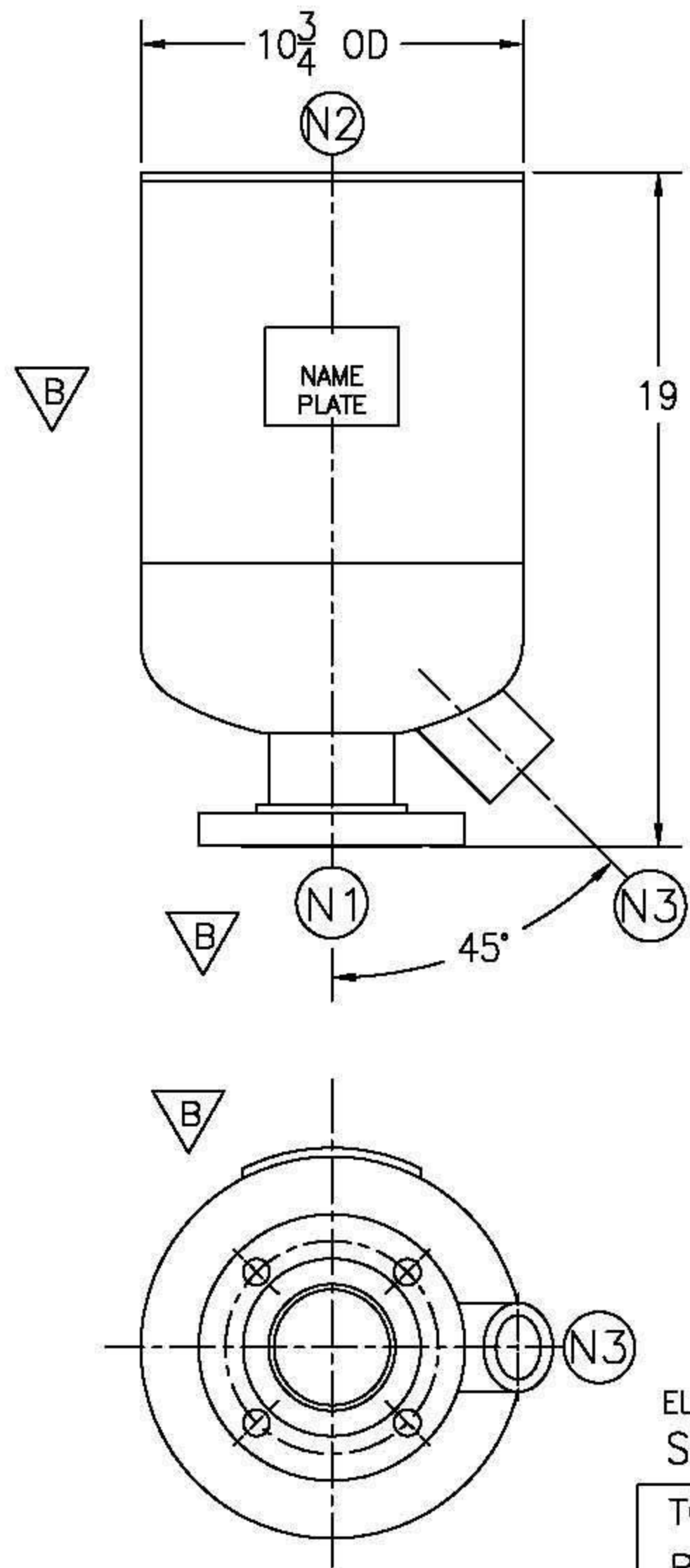


NOZZLE SCHEDULE			
ITEM	QTY.	NAME	DESCRIPTION
N1	1	INLET	3" 150# RFSO ASME B16.5
N2	1	OUTLET	3" SCH 10S PIPE
N3	1	DRAIN	1-1/2" NPT 3000# COUPLING

REV	DATE	CHANGE	ECR	BY	APP
A	10/02/03	NEW RELEASE	B749	VA	FM
B	12/05/03	DELETED NAMEPL. BRACKET, NAMEPL., INLET TAG, ADDED EXHAUST HEAD NAMEPL.	B892	LH	FM
C	11/1/05	REVISED TITLE BLOCK	D507	FM	LH



NOTES:

1. ALL DIMENSIONS ARE IN INCHES.
2. ALL BOLT HOLES ARE TO STRADDLE NATURAL CENTERLINES.
3. SHIPPING WEIGHT: 65 POUNDS.
4. DESIGN DATA:
 DESIGN PRESSURE— ATMOSPHERIC
 DESIGN TEMPERATURE— AMBIENT
 CORROSION ALLOWANCE— 0 INCHES
5. MATERIAL: 304/304L STAINLESS STEEL

[Click Here
For Your Free Quote](#)

CUSTOMER:
 REG. NO.:
 P.O. NO.:
 TAG NO.:
 PART NO.: 3EHS

	FACTORY DIRECT PIPELINE PRODUCTS, INC.		
	NAME 3" TYPE "40-EHMF" EXHAUST HEAD 150# FLG 304/304L SSSL		
DRAWN VA	DATE 10/02/03	CHECKED FM	DATE 10/02/03
APP ---	DATE --	SCALE NTS	ECR B749
SIZE A	DWG NO	SD3EHS	
			REV C

ELECTRONIC FILE NAME:
 SD3EHS316.DWG

TOLERANCES UNLESS OTHERWISE SPECIFIED PER ENGINEERING STANDARD ES- ---

UNAUTHORIZED USE, MANUFACTURE OR REPRODUCTION IN WHOLE OR IN PART IS PROHIBITED.