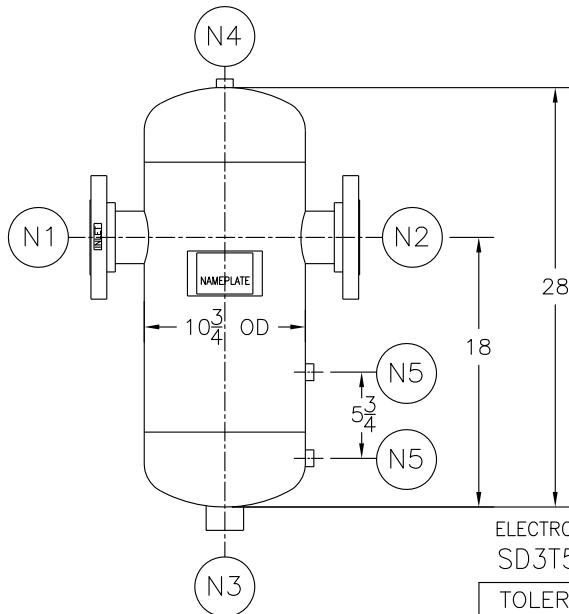
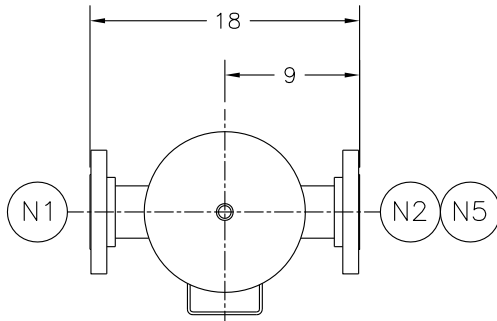


NOZZLE SCHEDULE			
ITEM	QTY.	NAME	DESCRIPTION
N1	1	INLET	3" 300# RFSO ASME B16.5
N2	1	OUTLET	3" 300# RFSO ASME B16.5
N3	1	DRAIN	1-1/2" 3000# NPT COUPLING
N4	1	VENT	1/2" NPT 3000# COUPLING
N5	2	LIQUID LEVEL	1/2" NPT 3000# COUPLING

REV	DATE	CHANGE	ECR	BY	APP
A	11/2/16	NEW ISSUE	0128597	JY	FM



ELECTRONIC FILE NAME:  
SD3T500S.DWG

TOLERANCES UNLESS OTHERWISE SPECIFIED  
PER ENGINEERING STANDARD ES- --

UNAUTHORIZED USE, MANUFACTURE OR  
REPRODUCTION IN WHOLE OR IN PART IS  
PROHIBITED. DRAWING, DESIGN AND  
OTHER DISCLOSURES PROPERTY OF  
EATON FILTRATION, LLC

NOTES:

- UNITS ARE TO BE DESIGNED, FABRICATED & "U" OR "UM" STAMPED IN ACCORDANCE WITH ASME BOILER & PRESSURE VESSEL CODE, SECTION VIII, DIVISION 1 IN COMPLIANCE TO CURRENT MANDATORY ADDENDA.
- ALL DIMENSIONS ARE IN INCHES.
- ALL BOLT HOLES ARE TO STRADDLE NATURAL CENTERLINES.
- APPROX. WEIGHT: 150 POUNDS.
- DESIGN DATA:
  - DESIGN PRESSURE- 500 PSIG
  - DESIGN TEMPERATURE- 300° F
  - MIN. DESIGN METAL TEMP.- -20° F @ 500 PSIG
  - HYDROTEST PRESSURE- 687 PSIG
  - CORROSION ALLOWANCE- 0 INCHES
- MATERIAL: 304/304L SSSL

[Click Here  
For Your Free Quote](#)

**STANDARD**

CUSTOMER:  
REG. NO.:  
P.O. NO.:  
TAG NO.:  
PART NO.: 3T500S/U/M

<b>EATON</b>	<b>EATON FILTRATION, LLC</b> 44 APPLE STREET, TINTON FALLS, NEW JERSEY 07724		
	NAME 3" TYPE "T" GAS/LIQUID SEP. 300# RF FLG. 304 SSSL		
DRAWN JY	DATE 11/2/16	CHECKED FM	DATE 11/2/16
APP VA	DATE 11/3/16	SCALE NTS	ECR 0128597
SIZE A	DWG NO	SD3T500S	
			REV A