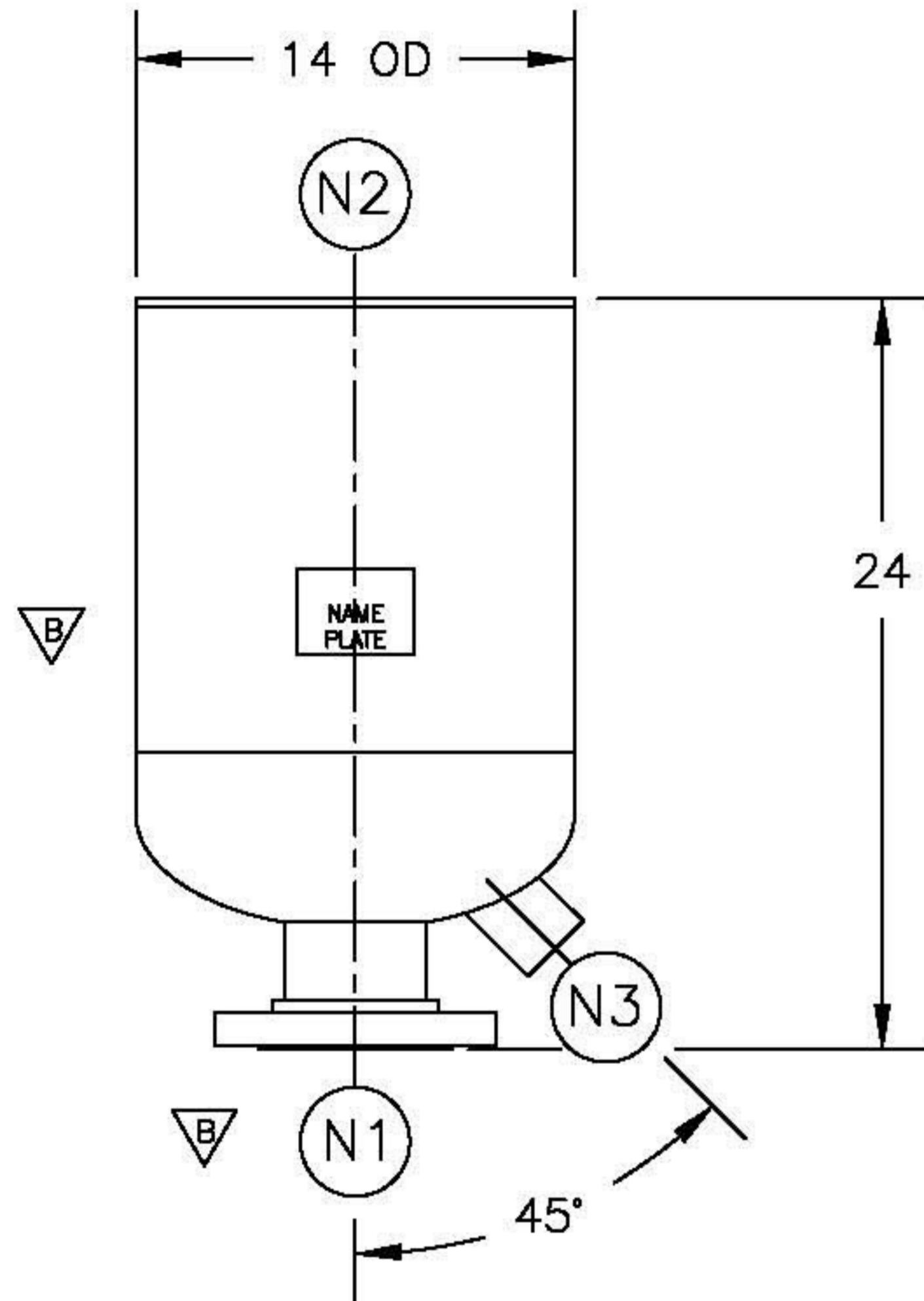


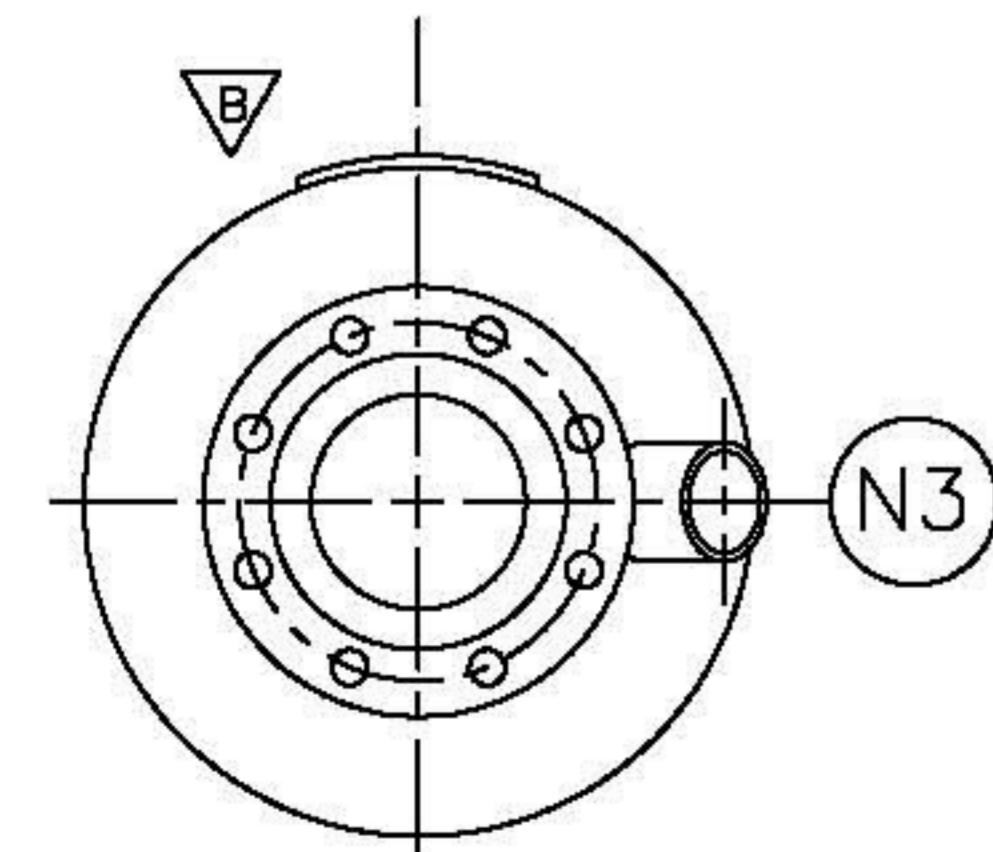
NOZZLE SCHEDULE				REV	DATE	CHANGE	ECR	BY	APP
ITEM	QTY.	NAME	DESCRIPTION						
N1	1	INLET	4"-150# RFSO ASME B16.5	A	2/16/01	NEW RELEASE	9231	GC	FG
N2	1	OUTLET	4" STD-WT. PIPE	B	12/05/03	DELETED NAMEPL. BRACKET, NAMEPL., INLET TAG, ADDED EXHAUST HEAD NAMEPL.	B892	LH	FM
N3	1	DRAIN	1-1/2" NPT 3000# COUPLING	C	11/1/05	REVISED TITLE BLOCK	D507	FM	LH



NOTES:

1. ALL DIMENSIONS ARE IN INCHES.
2. ALL BOLT HOLES ARE TO STRADDLE NATURAL CENTERLINES.
3. SHIPPING WEIGHT: 100 POUNDS.
4. DESIGN DATA:
 DESIGN PRESSURE- ATMOSPHERIC
 DESIGN TEMPERATURE- AMBIENT
 CORROSION ALLOWANCE- 0 INCHES
5. MATERIAL: CARBON STEEL

**Click Here
For Your Free Quote**



ELECTRONIC FILE NAME:
SD4EHC.DWG

TOLERANCES UNLESS OTHERWISE SPECIFIED
PER ENGINEERING STANDARD ES- ---

UNAUTHORIZED USE, MANUFACTURE OR
REPRODUCTION IN WHOLE OR IN PART IS
PROHIBITED.

CUSTOMER:
REG. NO.:
P.O. NO.:
TAG NO.:
PART NO.: 4EHC

FD

FACTORY DIRECT PIPELINE PRODUCTS, INC.
<http://www.wright-austin.com>

NAME **4" TYPE "40-EHMF" EXHAUST
HEAD 150# FLG CSTL**

DRAWN	GC	DATE	2/16/01	CHECKED	FJM	DATE	2/16/01
APP	FG	DATE	2/16/01	SCALE	NTS	ECR	9231
SIZE	DWG	SD4EHC				REV	C
A	NO						