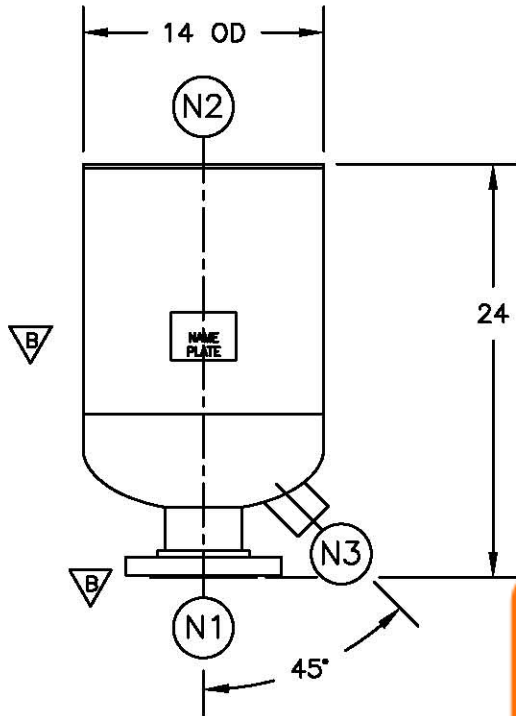


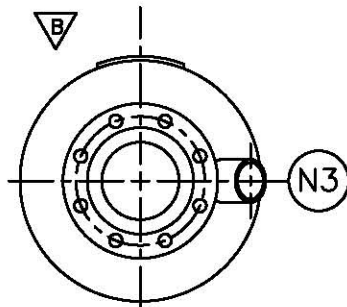
NOZZLE SCHEDULE				REV	DATE	CHANGE	ECR	BY	APP
ITEM	QTY.	NAME	DESCRIPTION						
N1	1	INLET	4"-150# RFSO ASME B16.5	A	09/20/99	NEW RELEASE	7897	AB	DP
N2	1	OUTLET	4" SCH 10S PIPE	B	12/05/03	DELETED NAMEPL. BRACKET, NAMEPL., INLET TAG, ADDED EXHAUST HEAD NAMEPL.	B892	LH	FM
N3	1	DRAIN	1-1/2" NPT 3000# COUPLING	C	11/1/05	REVISED TITLE BLOCK	D507	FM	LH



NOTES:

1. ALL DIMENSIONS ARE IN INCHES.
2. ALL BOLT HOLES ARE TO STRADDLE NATURAL CENTERLINES.
3. SHIPPING WEIGHT: 100 POUNDS.
4. DESIGN DATA:  
 DESIGN PRESSURE-                   ATMOSPHERIC  
 DESIGN TEMPERATURE-            AMBIENT  
 CORROSION ALLOWANCE-           0 INCHES
5. MATERIAL: 304L STAINLESS STEEL.


Click Here  
 For Your Free Quote



ELECTRONIC FILE NAME:  
SD4EHS.DWG

TOLERANCES UNLESS OTHERWISE SPECIFIED  
PER ENGINEERING STANDARD ES- ---

UNAUTHORIZED USE, MANUFACTURE OR  
REPRODUCTION IN WHOLE OR IN PART IS  
PROHIBITED.

	CUSTOMER:			
	REG. NO.:			
P.O. NO.:				
TAG NO.:				
PART NO.: 4EHS				
<b>FACTORY DIRECT PIPELINE PRODUCTS, INC.</b> <a href="http://www.wright-austin.com">http://www.wright-austin.com</a>				
NAME <b>4" TYPE "40-EHMF" EXHAUST HEAD 150# FLG (304L SSSL)</b>				
DRAWN	AB	DATE	09/20/99	
CHECKED	DP	DATE	09/20/99	
APP	--	SCALE	NTS	
ECR	7897			
SIZE	DWG	<b>SD4EHS</b>		
A	NO			
			REV	
			C	