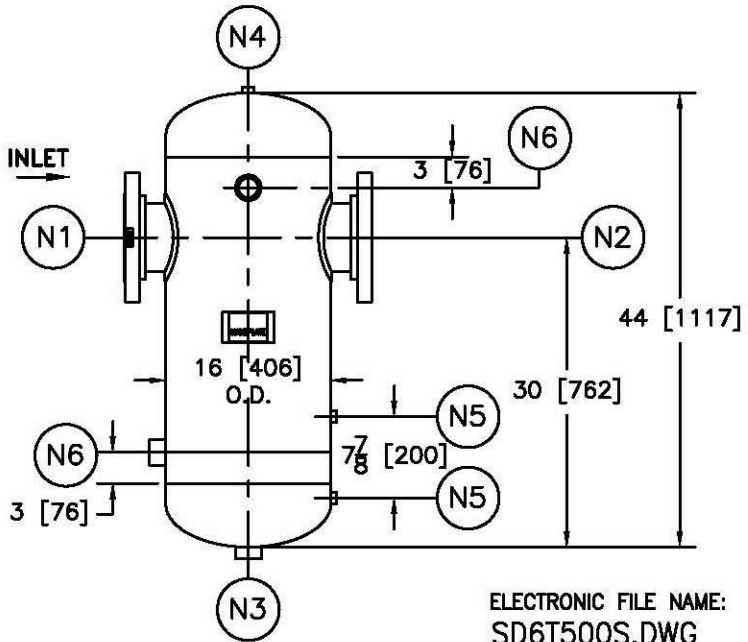
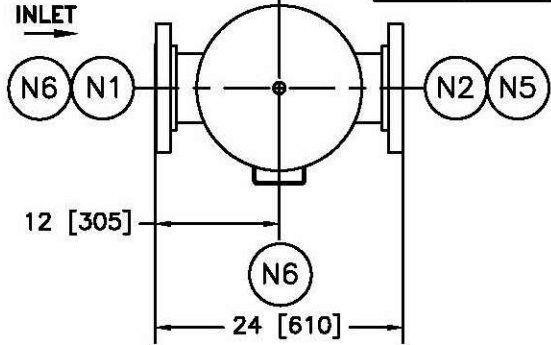


NOZZLE SCHEDULE

ITEM	QTY.	NAME	DESCRIPTION
N1	1	INLET	6" - 300# RFSO, B16.5
N2	1	OUTLET	6" - 300# RFSO, B16.5
N3	1	DRAIN	1-1/2" - NPT 3000# COUPLING
N4	1	VENT	1/2" - NPT 3000# COUPLING
N5	2	W.G. CONNS.	1/2" - NPT 3000# COUPLING
N6	2	INSPECTION	1-1/2" - NPT 3000# COUPLING

REV	DATE	CHANGE	ECR	BY	APP
A	08/26/05	NEW RELEASE	D380	GO	VA
B	11/1/05	REVISED TITLE BLOCK	D507	FM	LH



NOTES:

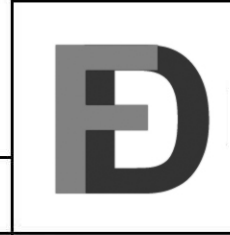
1. UNITS ARE TO BE DESIGNED, FABRICATED & "U" STAMPED (AS REQUIRED) IN ACCORDANCE WITH ASME B & PV CODE, SECTION VIII, DIVISION 1 IN COMPLIANCE TO CURRENT PUBLISHED ADDENDA.
2. ALL DIMENSIONS ARE IN INCHES [MM].
3. ALL BOLT HOLES ARE TO STRADDLE NATURAL CENTERLINES.
4. SHIPPING WEIGHT: 380 POUNDS.
5. DESIGN DATA:
 - DESIGN PRESSURE- 500 PSIG
 - DESIGN TEMPERATURE- 300°F
 - MIN. DESIGN METAL TEMP.- -20°F AT 500 PSIG
 - HYDROTEST PRESSURE- 650 PSIG
 - CORROSION ALLOWANCE- 0 INCHES
6. MATERIAL: 304/304L SSTL.

[Click Here For Your Free Quote](#)

ELECTRONIC FILE NAME:
SD6T500S.DWG

TOLERANCES UNLESS OTHERWISE SPECIFIED PER ENGINEERING STANDARD ES- -

UNAUTHORIZED USE, MANUFACTURE OR REPRODUCTION IN WHOLE OR IN PART IS PROHIBITED.



CUSTOMER:
REG. NO.:
P.O. NO.:
TAG NO.:
PART NO.: 6T500S/U/M

FACTORY DIRECT PIPELINE PRODUCTS, INC.
<http://www.wright-austin.com>

NAME 6" TYPE "T" GAS/ LIQUID SEPARATOR, 300# FLG, S. STL.

DRAWN	GO	DATE	08/26/05	CHECKED	FM	DATE	08/26/05
APP	VA	DATE	08/26/05	SCALE	NTS	ECR	D380

SIZE	DWG NO	REV
A		B

SD6T500S