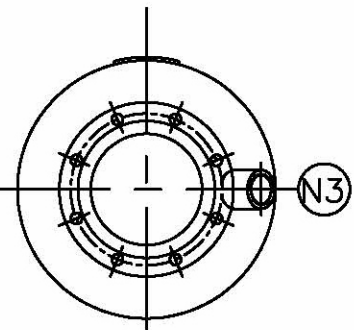
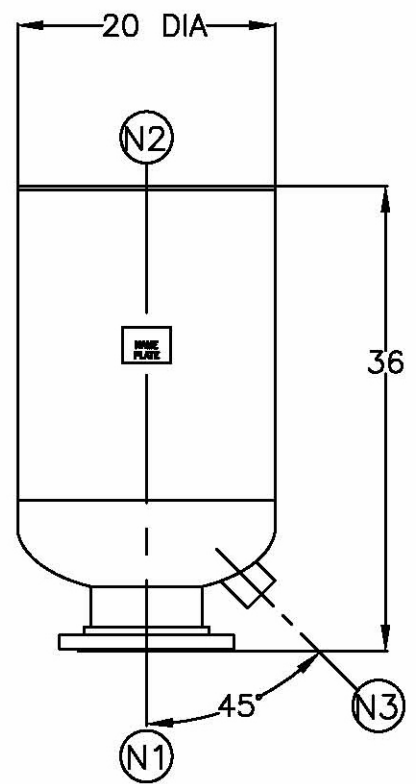


NOZZLE SCHEDULE				REV	DATE	CHANGE	ECR	BY	APP
ITEM	QTY.	NAME	DESCRIPTION						
N1	1	INLET	8" 150# RFSO FLANGE	A	6/2/05	NEW ISSUE	D193	FM	ANB
N2	1	OUTLET	8" STD. WGT. PIPE	B	11/1/05	REVISED TITLE BLOCK	D507	FM	LH
N3	1	DRAIN	2" NPT 3000# COUPLING						

NOTES:

1. ALL DIMENSIONS ARE IN INCHES.
2. ALL BOLT HOLES ARE TO STRADDLE NATURAL CENTERLINES.
3. SHIPPING WEIGHT: 240 POUNDS.
4. DESIGN DATA:
 DESIGN PRESSURE— ATMOSHERIC
 DESIGN TEMPERATURE— AMBIENT
 CORROSION ALLOWANCE— 0 INCHES
5. MATERIAL: 304/304L SSSL



**Click Here
For Your Free Quote**

ELECTRONIC FILE NAME:
SD8EHS.DWG

TOLERANCES UNLESS OTHERWISE SPECIFIED
PER ENGINEERING STANDARD ES- ---

UNAUTHORIZED USE, MANUFACTURE OR
REPRODUCTION IN WHOLE OR IN PART IS
PROHIBITED.

CUSTOMER:
REG. NO.:
P.O. NO.:
TAG NO.:
PART NO.: 8EHS

D	FACTORY DIRECT PIPELINE PRODUCTS, INC. http://www.wright-austin.com						
	NAME 8" TYPE "40-EHMF" EXHAUST HEAD 150# FLG SSSL						
DRAWN	FM	DATE	6/2/05	CHECKED	LH	DATE	6/2/05
APP	ANB	DATE	6/2/05	SCALE	NTS	ECR	D193
SIZE	DWG	SD8EHS				REV	B
A	NO						