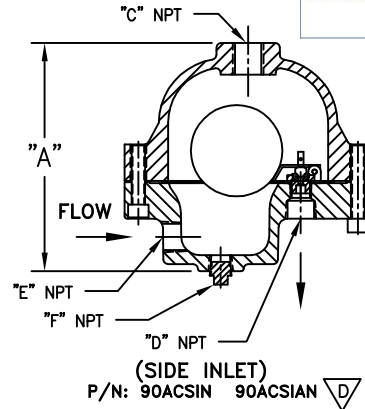
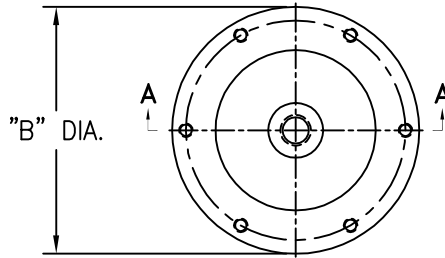


PART NO.	DIMENSIONS							WEIGHT	
	IN. "A" MM	IN. "B" MM	IN. "C" MM	IN. "D" MM	IN. "E" MM	IN. "F" MM	IN. "G" MM	LBS	KGS
90ACN	4.80 / 122	6.75 / 171	3/4 / 20	3/4 / 20	---	3/8 / 10	---	19 / 8.6	
90ACSIN	6.25 / 159	6.75 / 171	3/4 / 20	1/2 / 13	1/2 / 13	3/8 / 10	---	20 / 9	
90ACSION	6.63 / 169	6.75 / 171	3/4 / 20	1/2 / 13	1/2 / 13	3/8 / 10	1/8 / 3	22 / 10	

REVISIONS				
REV	DESCRIPTION	BY	ECO	DATE
E	UPDATED DRAWING	FJM	0130287	12/28/16
F	ADDED PART NO. 90ACCN-CMTR & NOTE 4	FJM	0130730	01/16/17

MODEL #	ORIFICE DIAMETER	DIFFERENTIAL PRESSURE (PSI), SPECIFY ORIFICE WITH ORDER												
		5	10	25	50	75	100	125	150	175	200	250	300	500
90-AC & 90-AC-SI-SO	5/32"	292	434	790	1273	1600	-	-	-	-	-	-	-	-
	1/8"	178	266	502	785	970	1130	1250	1370	1465	1550	1750	-	-
	3/32"	97	147	265	427	545	625	697	760	815	870	965	-	-
	5/64"	68	101	198	299	382	435	487	530	570	590	650	-	-

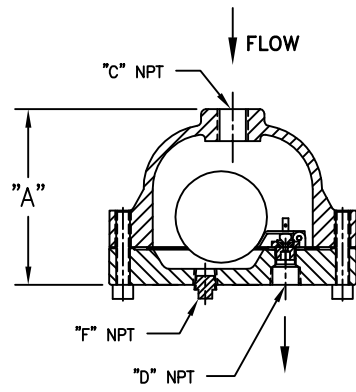


ORDER A REPAIR KIT TO REPLACE THE GASKET, FLOAT, LINKAGE, VALVE AND VALVE SEAT; KIT PART NUMBERS BY ORIFICE SIZE:

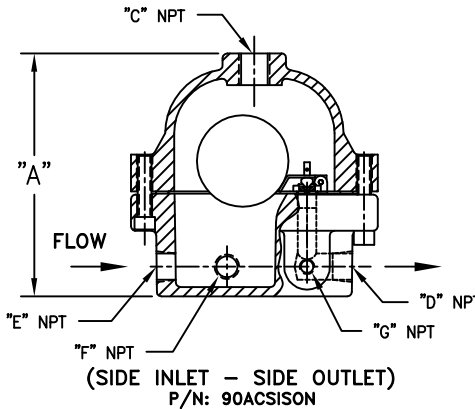
- 90-0-8A: 3/32" SS
- 90-0-8B: 1/8" SS
- 90-0-8C: 5/32" SS
- 90-0-8D: 5/64" SS
- 90-0-8N: 1/8" SS WITH VITON GROMMET (STANDARD)

NOTES:

QUICK & DISCOUNTED PRICING
CLICK HERE
OR CALL (908) 362-9981



SECTION A-A
P/N: 90ACN 90ACAN 90ACCN 90ACCN-CMTR 90ACDN



NOTES:

- DIMENSIONS SHOWN IN [] ARE IN MILLIMETERS AND FOR REFERENCE ONLY. ACCEPTANCE OF THIS PART WILL BE BASED ON "INCH" UNITS & TOLERANCES ONLY.
- DESIGN DATA:
DESIGN PRESSURE- 250 PSIG [17.2 BARS]
DESIGN TEMPERATURE- 450° F [232.2 °C]
MIN. DESIGN METAL TEMP.- -20° F @ 250 PSIG
[-28.9° C @ 17.2 BARS]
- MATERIAL: BODY & COVER - CAST IRON, SA-278 CLASS 30
INTERNALS - STAINLESS STEEL
- QR7: CERTIFIED MATERIAL PER ASME SECT. VIII. CMTR IS REQUIRED FOR HEADS, PLATE & PIPE. FITTINGS, FLANGES & FORGINGS SHALL BE MARKED IN ACCORDANCE WITH ASME SECTION II AND ANSI STANDARDS.
NOTE 4: APPLIES TO PART NUMBER 90ACCN-CMTR

PART NO.	ORIFICE	MATERIAL
90ACN	1/8"	VITON
90ACAN	3/32"	SSTL
90ACCN 90ACCN-CMTR	5/32"	VITON
90ACDN	5/64"	SSTL
90ACSIN	3/32"	SSTL

CUSTOMER INFO	
NAME	
P.O. NO.	
QTY.	
S.O. NO.	
PART NO.	
TAG NO.	

TOLERANCES (UNLESS OTHERWISE SPECIFIED)	
DECIMAL:	.X ± .030 .XX ± .010 .XXX ± .005
FRACTIONAL:	± 1/16 NOZZLE & TO FLOOR: ± < 4' > ± 1/8 FACE TO FACE: ± < 4' > ± 1/8 ANGULAR: ± 1° FLANGES (H/V): ± 1/16 VESSEL OVERALL HT: ± 1/16 BOLT HOLES MUST STRADDLE & MACHINED PARTS TO BE FREE OF BURRS FOR ADDITIONAL TOLERANCE DETAILS REF. ES-211, ES-222 AND ES-223
REVIEWED FOR CLASSIFICATION PER PR-4	
CRITICAL	SIGNIFICANT

DRAWN BY FM	SCALE AS DRAWN
RESTRICTION RESTRICTED	SHEET 1 OF 1
PROJECTION THIRD ANGLE	DATE 5/24/04

	HYDRAULICS GROUP FILTRATION DIVISION GALESBURG, MICHIGAN, USA • TINTON FALLS, NEW JERSEY, USA		
	TITLE TYPE 90-AC FLOAT DRAIN TRAPS FOR COMPRESSED AIR & GAS SERVICE CAST IRON		
SIZE A	DWG FILENAME SD90ACN	REV F	

EATON CORPORATION - CONFIDENTIAL AND PROPRIETARY NOTICE TO PERSONS RECEIVING THIS DRAWING AND/OR TECHNICAL INFORMATION INCLUDING THE DRAWING AND INFORMATION CONTAINED THEREON IS CONFIDENTIAL AND IS THE EXCLUSIVE PROPERTY OF EATON. BY TAKING THE POSSESSION OF THIS DOCUMENT THE RECIPIENT ACKNOWLEDGES AND AGREES THAT THIS DOCUMENT CANNOT BE USED IN ANY MANNER ADVERSE TO THE INTEREST OF EATON AND THAT NO PORTION OF THIS DRAWING MAY BE COPIED OR OTHERWISE REPRODUCED WITHOUT THE PRIOR WRITTEN CONSENT OF EATON. IN THE CASE OF CONFLICT CONTRACTUAL PROVISIONS, THIS NOTICE SHALL GOVERN THE STATUS OF THIS DOCUMENT.
2014 EATON CORPORATION - ALL RIGHTS RESERVED.