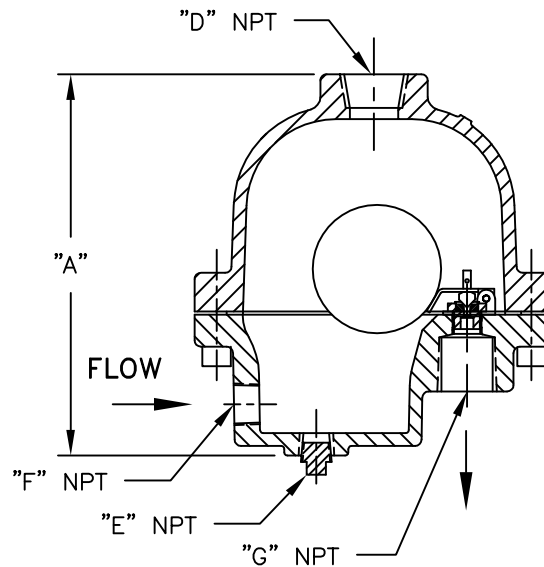


SECTION A-A
P/N: 95CSACAN



(SIDE INLET)
P/N: 95CSAC-SIAN

PART NO.	ORIFICE	MATERIAL
95CSACAN	3/32"	SSTL.
95CSACCN	5/32"	VITON
95CSACDN	1/8"	VITON

ELECTRONIC FILE NAME: SD95ACAN.DWG
REF. ECR 0034583 DATE 09/01/09

PART NO.	DIMENSIONS							WEIGHT								
	IN. "A"	MM	IN. "B"	MM	IN. "C"	MM	IN. "D"	MM	IN. "E"	MM	IN. "F"	MM	IN. "G"	MM	LBS	KGS
95CSACAN	6.25	/ 159	7.00	/ 178	6.13	/ 156	1	/ 25	3/8	/ 10	---		1	/ 25	17	/ 7.7
95CSAC-SIAN	7.50	/ 191	7.00	/ 178	6.13	/ 156	1	/ 25	3/8	/ 10	1/2	/ 13	1	/ 25	19	/ 8.6

MODEL #	ORIFICE DIAMETER	DIFFERENTIAL PRESSURE (PSI), SPECIFY ORIFICE WITH ORDER												
		5	10	25	50	75	100	125	150	175	200	250	300	500
95-AC	5/32"	292	434	790	1273	1623	1850	2075	2250	2400	2575	2840	-	-
	1/8"	178	266	502	785	970	1130	1250	1370	1465	1550	1750	1950	2500
	3/32"	97	147	265	427	545	625	697	760	815	870	965	1060	1350

ORDER A REPAIR KIT TO REPLACE THE GASKET, FLOAT, LINKAGE, VALVE AND VALVE SEAT; KIT PART NUMBERS BY ORIFICE SIZE:

- 95-0-8A: 3/32" SS
- 95-0-8B: 1/8" SS
- 95-0-8C: 5/32" SS (STANDARD)
- 95-0-8D: 5/64" SS

QUICK & DISCOUNTED PRICING
CLICK HERE
OR CALL (908) 362-9981

NOTES:

1. ALL DIMENSIONS ARE IN INCHES [MM].
2. DESIGN DATA:
 DESIGN PRESSURE- 500 PSIG [34.4 BARS]
 DESIGN TEMPERATURE- 450° F [232.2 °C]
 MIN. DESIGN METAL TEMP.- -20° F @ 500 PSIG
 [-28.9° C @ 34.4 BARS]
3. MATERIAL: BODY & COVER - CARBON STEEL, SA216 WCB
 INTERNALS - STAINLESS STEEL

CERTIFIED FOR:
P.O. NO.:
S.O. NO.:
QUOTE NO.:
TAG NO.:

EATON		EATON FILTRATION, LLC 900 FAIRMOUNT AVENUE, ELIZABETH, NEW JERSEY 07207			
		NAME TYPE 95-AC FLOAT DRAIN TRAPS FOR COMPRESSED AIR & GAS SERVICE CARBON STEEL			
DRAWN FM	DATE 5/24/04	CERT. VAA	DATE 5/24/04		
SIZE A	DWG NO	SD95ACAN			REV C

UNAUTHORIZED USE, MANUFACTURE OR REPRODUCTION IN WHOLE OR IN PART IS PROHIBITED. DRAWING, DESIGN AND OTHER DISCLOSURES PROPERTY OF EATON FILTRATION, LLC