

PART NO.	DIMENSIONS							WEIGHT								
	IN. "A"	MM	IN. "B"	MM	IN. "C"	MM	IN. "D"	MM	IN. "E"	MM	IN. "F"	MM	IN. "G"	MM	LBS	KGS
95SSACAN	6.25	/ 159	7.00	/ 178	6.13	/ 156	1	/ 25	3/8	/ 10	---		1	/ 25	17	/ 7.7
95SSAC-SIAN	7.50	/ 191	7.00	/ 178	6.13	/ 156	1	/ 25	3/8	/ 10	1/2	/ 13	1	/ 25	19	/ 8.6

MODEL #	ORIFICE DIAMETER	DIFFERENTIAL PRESSURE (PSI), SPECIFY ORIFICE WITH ORDER												
		5	10	25	50	75	100	125	150	175	200	250	300	500
95-AC	5/32"	292	434	790	1273	1623	1850	2075	2250	2400	2575	2840	-	-
	1/8"	178	266	502	785	970	1130	1250	1370	1465	1550	1750	1950	2500
	3/32"	97	147	265	427	545	625	697	760	815	870	965	1060	1350

NOTES:

1. ALL DIMENSIONS ARE IN INCHES [MM].

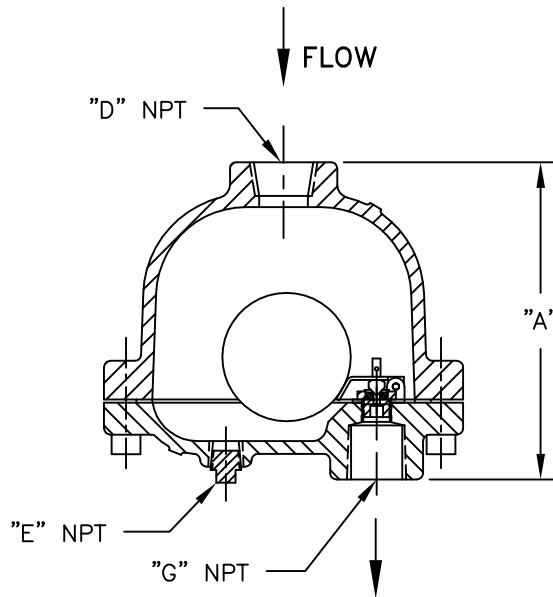
2. DESIGN DATA:

DESIGN PRESSURE- 500 PSIG [34.4 BARS]
 DESIGN TEMPERATURE- 450° F [232.2 °C]
 MIN. DESIGN METAL TEMP.- -20° F @ 5000 PSIG
 [-28.9° C @ 34.4 BARS]

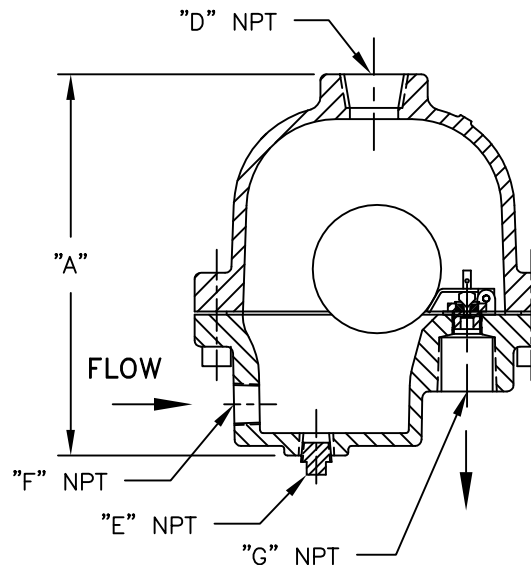
3. MATERIAL: BODY & COVER - STAINLESS STEEL SA351 CF8M
 INTERNALS - STAINLESS STEEL



4. VALVE SEAT 3/32" HARD 303 SSSL



SECTION A-A
P/N: 95SSACAN



(SIDE INLET)
P/N: 95SSAC-SIAN

QUICK & DISCOUNTED PRICING
CLICK HERE
 OR CALL (908) 362-9981

ORDER A REPAIR KIT TO REPLACE THE GASKET, FLOAT, LINKAGE, VALVE AND VALVE SEAT; KIT PART NUMBERS BY ORIFICE SIZE:

- 95-0-8A: 3/32" SS
- 95-0-8B: 1/8" SS
- 95-0-8C: 5/32" SS (STANDARD)
- 95-0-8D: 5/64" SS
- 95-0-8V: 1/8" SS WITH VITON GROMMET

C	ADD NOTE 4 FOR VALVE SEAT SPEC	JY	0075178	8/28/2012
REV	DESCRIPTION	BY	ECO NO.	DATE

EATON	EATON FILTRATION, LLC 900 FAIRMOUNT AVENUE, ELIZABETH, NEW JERSEY 07207			
	NAME TYPE 95-AC FLOAT DRAIN TRAPS FOR COMPRESSED AIR & GAS SERVICE STAINLESS STEEL			

DRAWN	FM	DATE	5/24/04	CERT.	VAA	DATE	5/24/04
SIZE	DWG NO	SD95ASAN				REV	C

ELECTRONIC FILE NAME: SD95ASAN.DWG
 REF. ECR D507 DATE 10/18/05

UNAUTHORIZED USE, MANUFACTURE OR REPRODUCTION IN WHOLE OR IN PART IS PROHIBITED. DRAWING, DESIGN AND OTHER DISCLOSURES PROPERTY OF EATON FILTRATION, LLC