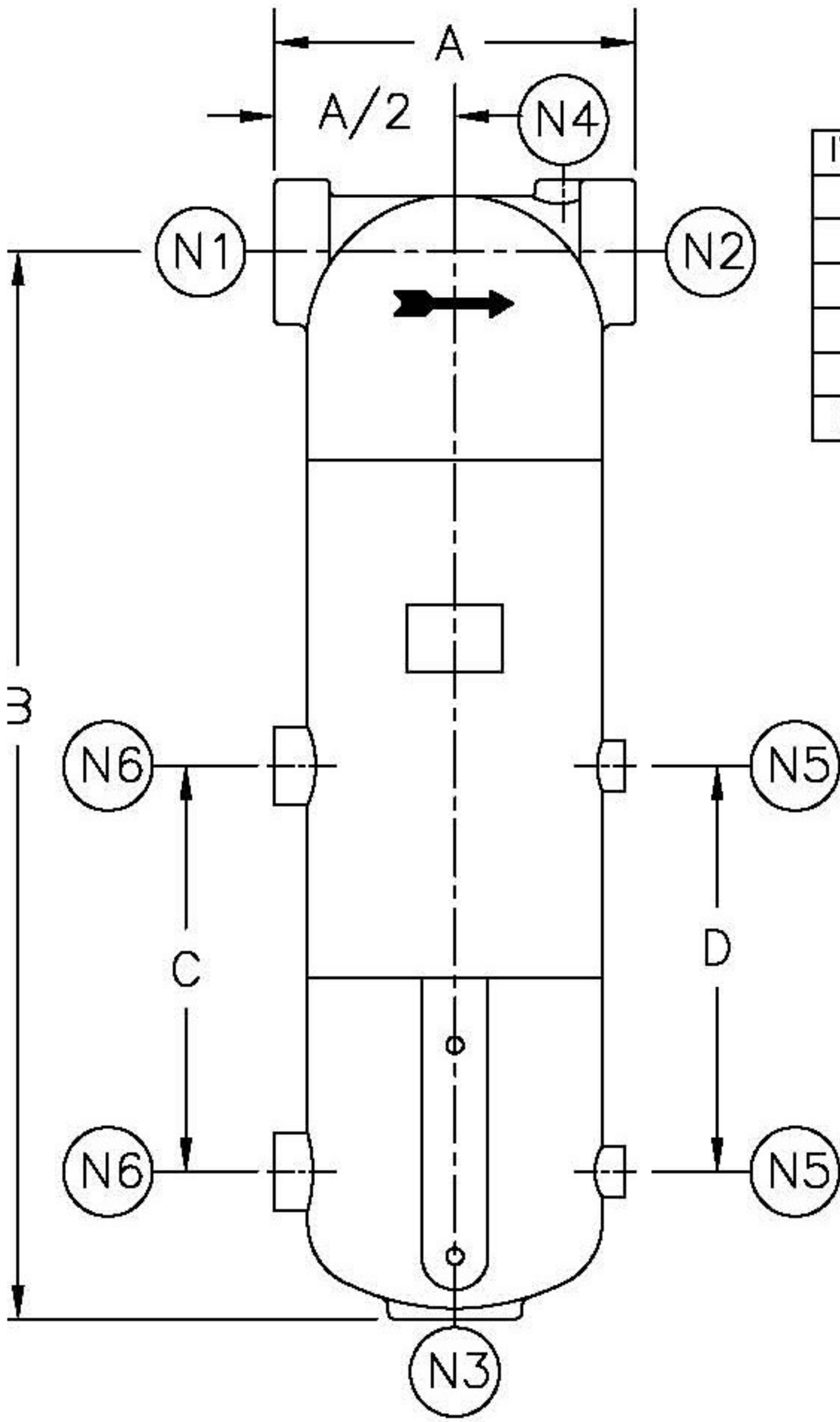


A	B	C	D	WGT	PART NO.
6.88	22.25	---	7.88	45	1TS1000C
				45	1.25TS1000C
7.88	24.25	9.13	9.13	80	1.5TS1000C
				85	2TS1000C

REV	DATE	CHANGE	ECR	BY	APP
A	10/16/98	NEW RELEASE	6812	AB	DP
B	11/1/05	REVISED TITLE BLOCK	D507	FM	LH



ITEM	DESCRIPTION	NAME	QTY.
N1	NOM. PIPE SIZE	INLET	1
N2	NOM. PIPE SIZE	OUTLET	1
N3	1" NPT	DRAIN	1
N4	1/4" NPT	VENT	1
N5	1/2" NPT 3000# CPLG	WATER GAGE	2
N6	1" NPT 3000# CPLG	LIQUID LEVEL	2

NOTES:

- UNITS ARE TO BE DESIGNED, FABRICATED, AND "CODE" STAMPED (IF REQ'D) IN ACCORDANCE WITH ASME B & PV CODE, SECTION VIII, DIVISION 1 IN COMPLIANCE TO CURRENT PUBLISHED ADDENDA.
- ALL DIMENSIONS ARE IN INCHES .
- ALL BOLT HOLES ARE TO STRADDLE NATURAL CENTERLINES.
- SHIPPING WEIGHT: SEE DIMESION TABLE
- DESIGN DATA:
  - DESIGN PRESSURE- 1000 PSIG
  - DESIGN TEMPERATURE- 650° F
  - MIN. DESIGN METAL TEMP.- -20° F @ 1000 PSIG
  - HYDROTEST PRESSURE- 1500 PSIG
  - CORROSION ALLOWANCE- 0 INCHES
- MATERIAL: CARBON STEEL.

ELECTRONIC FILE NAME:  
SDTS100C.DWG

TOLERANCES UNLESS OTHERWISE SPECIFIED  
PER ENGINEERING STANDARD ES- --

UNAUTHORIZED USE, MANUFACTURE OR  
REPRODUCTION IN WHOLE OR IN PART IS  
PROHIBITED.

CUSTOMER:  
REG. NO.:  
P.O. NO.:  
TAG NO.:



**FACTORY DIRECT PIPELINE PRODUCTS, INC.**

<http://www.wright-austin.com>

NAME 1-2" TYPE "TS" GAS/LIQUID  
SEPARATOR THREADED CONN.

DRAWN AB	DATE 10/15/98	CHECKED DP	DATE 10/15/98
APP --	DATE --	SCALE NTS	ECR 6812

SIZE  
**A**

DWG  
NO

**SDTS1000C**

REV  
**B**