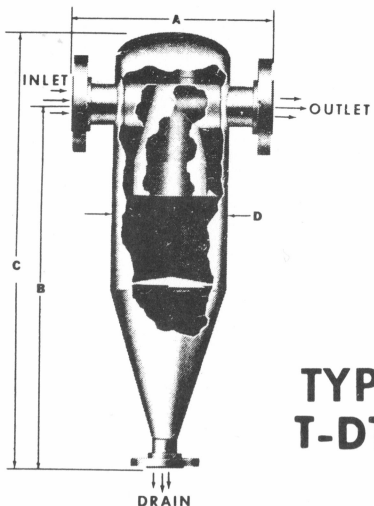
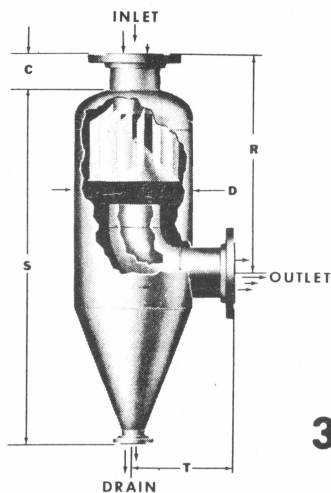


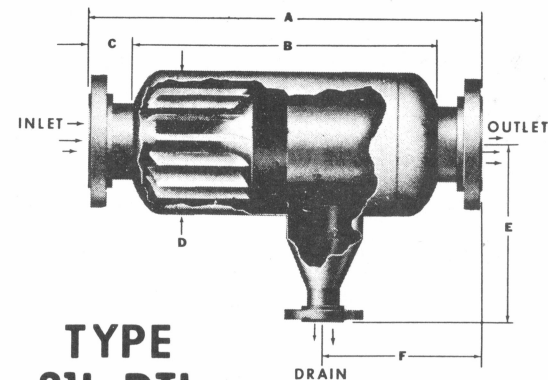
# WRIGHT-AUSTIN "DTL" DRY TYPE SEPARATORS



**TYPE  
T-DTL**



**TYPE  
33L-DTL**



**TYPE  
31L-DTL**

## STANDARD SIZE DIMENSIONS (Special Designs on Application)

Size	A	B	C	D	DRAIN Flanged
2"	11-1/2"	36"	42"	6-5/8"	2"
2-1/2"	16"	37"	43"	8-5/8"	2"
3"	18"	42"	50"	10-3/4"	2-1/2"
4"	20"	46"	55"	12-3/4"	3"
5"	22"	50"	60"	14"	4"
6"	24"	66"	77"	16"	4"
8"	28"	74"	87"	18"	5"
10"	33"	102"	117"	24"	5"
12"	38"	114"	131"	28"	5"
14"	42"	118"	138"	32"	8"
16"	47"	133"	154"	36"	8"

Larger Sizes on Application

Size	C	D	R	S	T	DRAIN Flanged
2"	3"	6-5/8"	14"	26"	7"	2"
2-1/2"	3"	6-5/8"	14"	26-1/2"	7"	2"
3"	3"	8-5/8"	16"	30"	8"	2-1/2"
4"	4"	10-3/4"	20"	35"	10"	2-1/2"
5"	4"	12-3/4"	24"	42"	11"	3"
6"	4"	14"	27"	52-1/2"	12"	3"
8"	5"	16"	33"	61"	13"	4"
10"	5"	20"	40"	82"	15"	4"
12"	5"	24"	46"	98"	17"	5"
14"	5"	28"	52"	117"	19"	8"
16"	5"	30"	59"	126"	20"	8"

Larger Sizes on Application

Size	A	B	C	D	E	F	DRAIN Flanged
2"	22"	16"	3"	6-5/8"	16"	11"	2"
2-1/2"	22"	16"	3"	6-5/8"	16"	11"	2"
3"	24"	18"	3"	8-5/8"	17"	11"	2-1/2"
4"	30"	22"	4"	10-3/4"	19"	13-1/2"	2-1/2"
5"	34"	26"	4"	12-3/4"	21"	14"	3"
6"	36"	28"	4"	14"	22"	14"	3"
8"	46"	36"	5"	16"	23"	19"	4"
10"	52"	42"	5"	20"	26"	20-1/2"	4"
12"	60"	50"	5"	24"	29"	23-1/2"	5"
14"	66"	56"	5"	28"	35"	25"	8"
16"	74"	64"	5"	30"	44"	28"	8"

Larger Sizes on Application

These new modern designs like other Wright-Austin Gas/Liquid Separators are designed, built and stamped to ASME code for unfired pressure vessels. Available in fabricated steel and stainless steel. They are designed to efficiently remove entrained solid particles in gas or air streams at elevated pressure, from vacuum range through high pressures and temperatures. No maintenance required, non clogging, self cleaning, broad flow range with minimum pressure drop.