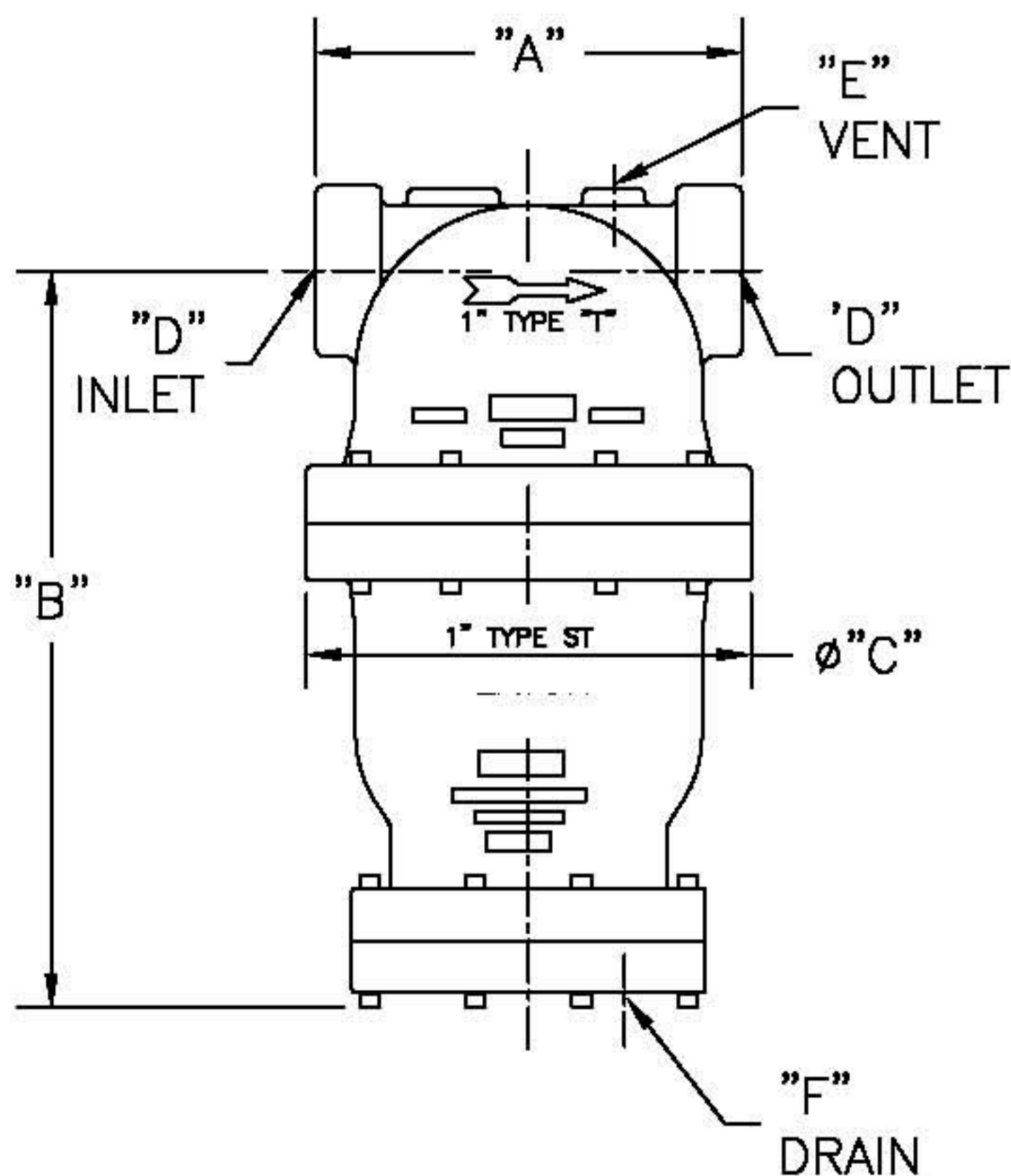
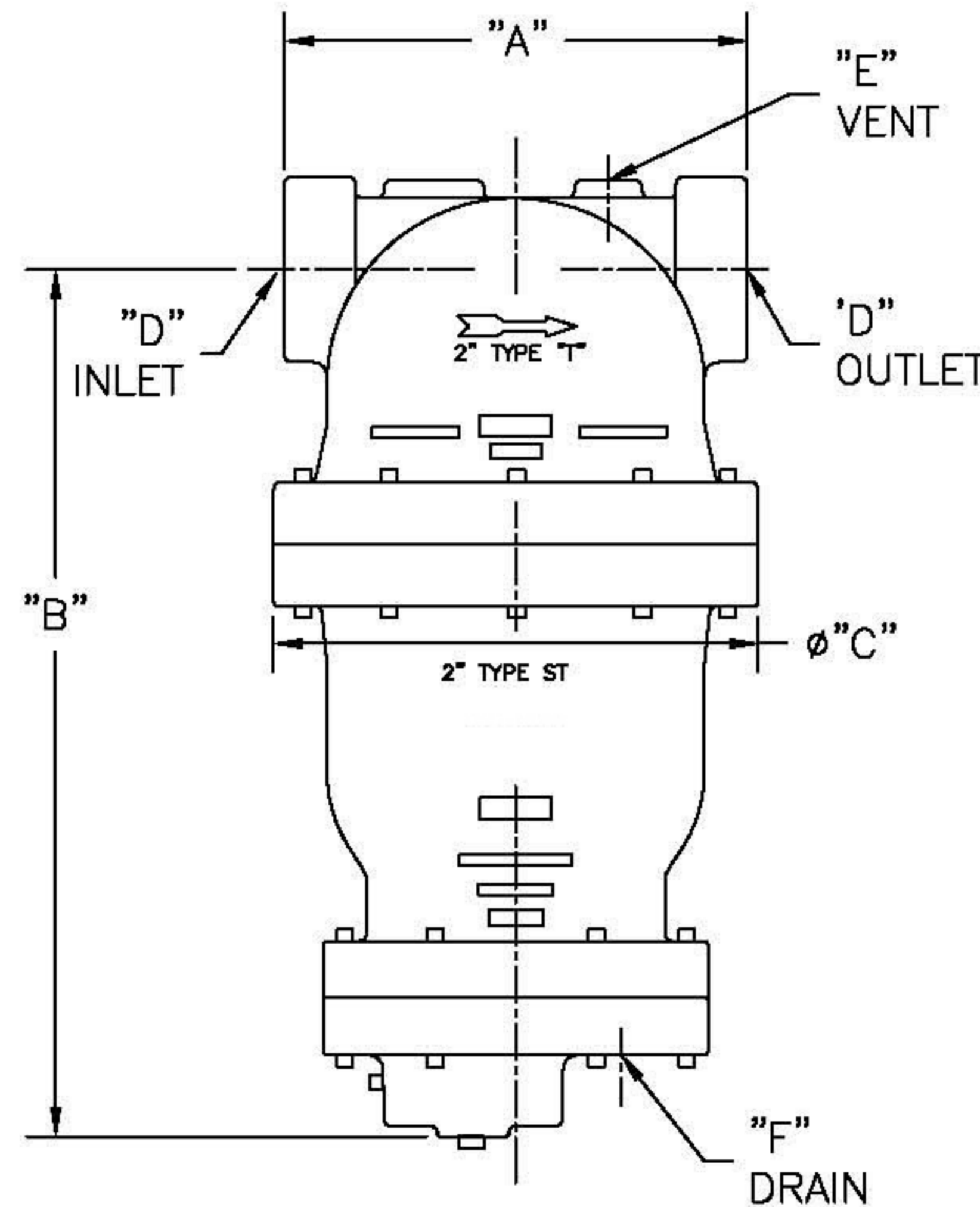


3/4" (20)
PIPE SIZE



1" (25) TO 1-1/4" (32)
PIPE SIZES

PIPE SIZE (NOMINAL) IN. MM	DIMENSIONS						DRY WEIGHT		PART NO.
	"A" IN. MM	"B" IN. MM	"C" IN. MM	"D" CONNECTION	"E" VENT	"F" DRAIN	LBS	KGS	
3/4 (20)	5.50 / 140	11.69 / 297	6.75 / 171	3/4" NPT	1/4" NPT	3/4" NPT	31 / 14.1		0.75STBN
1 (25)	6 / 152	10.25 / 260	6.75 / 171	1" NPT	1/4" NPT	3/4" NPT	39 / 17.7		1.STBN
1-1/4 (32)	6 / 152	12.25 / 311	7 / 178	1-1/4" NPT	1/4" NPT	3/4" NPT	47 / 21.3		1.25STBN
1-1/2 (40)	7.25 / 184	14.06 / 357	8.13 / 207	1-1/2" NPT	1/4" NPT	3/4" NPT	53 / 24		1.5STBN
2 (50)	8.13 / 206	14.94 / 380	8.50 / 216	2" NPT	1/4" NPT	3/4" NPT	58 / 26.3		2.STBN
2-1/2 (65)	12 / 305	20.44 / 520	11.38 / 289	2-1/2" NPT	1/4" NPT	3/4" NPT	109 / 49.5		2.5STBN
3 (80)	11 / 280	22.44 / 520	11.38 / 289	3" NPT	1/4" NPT	3/4" NPT	105 / 47.7		3.STBN



1-1/2" (40) TO 3" (80)
PIPE SIZES

NOTES:

- UNITS ARE TO BE DESIGNED, FABRICATED & CODE STAMPED (IF REQUIRED) IN ACCORDANCE WITH ASME B & PV CODE, SECTION VIII, DIVISION 1 IN COMPLIANCE TO CURRENT PUBLISHED ADDENDA.
- ALL DIMENSIONS ARE IN INCHES [MM].
- DESIGN DATA:
 DESIGN PRESSURE- 250 PSIG [17.2 BARS]
 DESIGN TEMPERATURE- 450° F [232.2 °C]
 MIN. DESIGN METAL TEMP.- -20° F @ 250 PSIG
 [-28.9° CF @ 17.2 BARS]
 HYDROTEST PRESSURE- 500 PSIG [34.5 BARS]
 CORROSION ALLOWANCE- 0 INCHES
- MATERIAL: CAST IRON, SA-278 CLASS 30
- REDUCER BUSHING USED ON 2-1/2" CONNECTION.

CERTIFIED FOR:

P.O. NO.:

S.O. NO.:

QUOTE NO.:

TAG NO.:

	FACTORY DIRECT PIPELINE PRODUCTS, INC. http://www.fdpp.com			
	NAME TYPE "ST" GAS LIQUID SEPARATOR THREADED LINE CONNECTIONS CAST IRON			
DRAWN VA	DATE 11/25/03	CERT. FM	DATE 11/25/03	
SIZE A	DWG NO	SD-STBN		
			REV G	

UNAUTHORIZED USE, MANUFACTURE OR REPRODUCTION IN WHOLE OR IN PART IS PROHIBITED.

ELECTRONIC FILE NAME: SD-STBN.DWG

REF. ECR D507 DATE 10/18/05