

# TYPE "T-S" GAS/LIQUID SEPARATOR (CARBON STEEL) WITH ANSI FLANGES

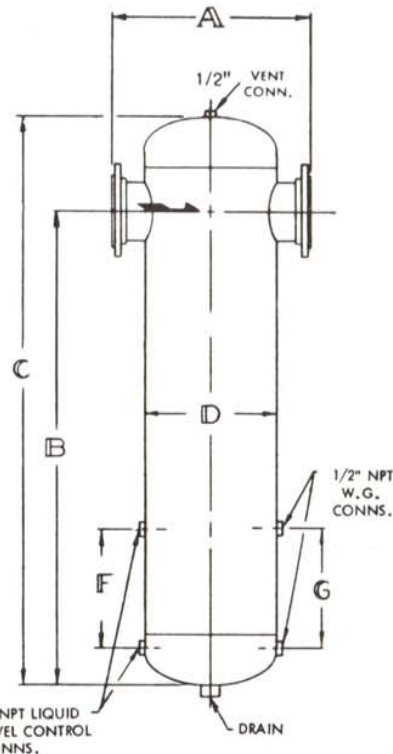
## DIMENSIONS AND WEIGHTS

Pipe Size	Thr'd. & Sock. Weld. A	Flanged A	B	C	D	F	G	NPT Drain		Thr'd. & Sock. Weld.	Design 1000 PSIG @ 650° F Wgt.	Design 150 PSIG @ 450° F Wgt.	Design 500 PSIG @ 650° F Wgt.	Liquid Hold Up Capacity (Cubic Feet)
								Std.	Opt'l.					
1"	6 7/8"	10 1/2"	22"	28"	5 9/16"	-	7 7/8"	1"	1 1/2"		44	47	49	0.19
1 1/4"	6 7/8"	10 1/2"	22"	28"	5 9/16"	-	7 7/8"	1"	1 1/2"		45	50	52	0.19
1 1/2"	7 7/8"	11 1/2"	24"	30"	6 5/8"	9 1/8"	9 1/8"	1"	2"		83	69	75	0.20
2"	7 7/8"	11 1/2"	24"	30"	6 5/8"	9 1/8"	9 1/8"	1"	2"		85	74	78	0.20
2 1/2"	-	16"	27"	35"	8 5/8"	9 1/8"	9 1/8"	1"	2"		-	122	132	0.39
3"	-	18"	30"	38"	10 3/4"	9 1/8"	9 1/8"	1 1/2"	2 1/2"		-	170	180	0.66
4"	-	20"	36"	45"	12 3/4"	10 1/4"	10 1/4"	1 1/2"	2 1/2"		-	225	250	1.07
5"	-	22"	40"	50"	14"	10 1/4"	10 1/4"	1 1/2"	2 1/2"		-	265	335	1.35
6"	-	24"	55"	66"	16"	10 1/4"	10 1/4"	1 1/2"	2 1/2"		-	400	435	3.03
8"	-	28"	62"	75"	18"	11 7/8"	11 7/8"	2"	3"		-	545	700	3.83
10"	-	34"	76"	91"	24"	11 7/8"	11 7/8"	2"	3"		-	800	1355	6.94
12"	-	38"	82"	99"	28"	11 7/8"	11 7/8"	2 1/2"	4"*		-	1090	1735	11.74
14"	-	42"	89"	108"	32"	12 5/8"	12 5/8"	2 1/2"	4"*		-	1335	2535	16.81
16"	-	47"	98"	119"	36"	12 5/8"	12 5/8"	3"	5"*		-	1850	3200	20.22
18"	-	54"	108"	132"	42"	12 5/8"	12 5/8"	3"	5"*		-	2600	5025	22.99
20"	-	62"	118"	145"	48"	15"	15"	3"	5"*		-	3275	6480	26.47
22"	-	64"	121"	149"	48"	15"	15"	3"	5"*		-	3450	7000	26.47
24"	-	70"	127"	158"	54"	15"	15"	4"*	6"*		-	4940	9020	32.64

\*Flanged Drain

## REFERENCE DRAWING ONLY

AN UPDATED  
OUTLINE DRAWING WILL BE PROVIDED  
AFTER RECEIPT OF AN ORDER FOR YOUR  
APPROVAL PRIOR TO RELEASING TO  
MANUFACTURING



FOUR ANGLE LEGS  
OR BASE PLATES  
OPTIONAL

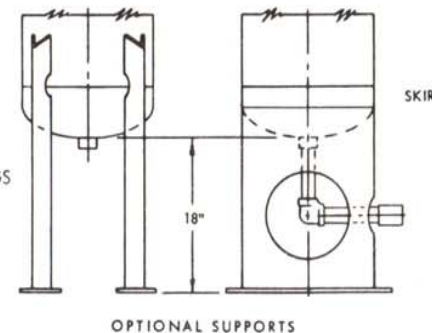
SEE REVERSE SIDE

The "Type T-S" separators are of welded steel construction in accordance with ASME code for unfired pressure vessels. Available in stainless steel on request. Inlet and outlet connections can be rotated radially, if specified.

### PERFORMANCE

The WRIGHT-AUSTIN type "T-S" entrainment separator when properly sized, installed and drained, will remove 99% of all liquid and solid entrainment where the particle size exceeds ten microns.

For Trap selection - request: Bulletin 808 (Steam)  
Bulletin 814 (Air-Gas)



### NOTE:

Include vent line for  
air and gas installation.

Effective August 1, 1993



**WRIGHT-AUSTIN**  
FACTORY DIRECT PIPELINE PRODUCTS, INC.

<http://www.wright-austin.com>

**TB-536L**