

TYPE "10-R" SERIES GAS/LIQUID SEPARATORS

APPLICATION

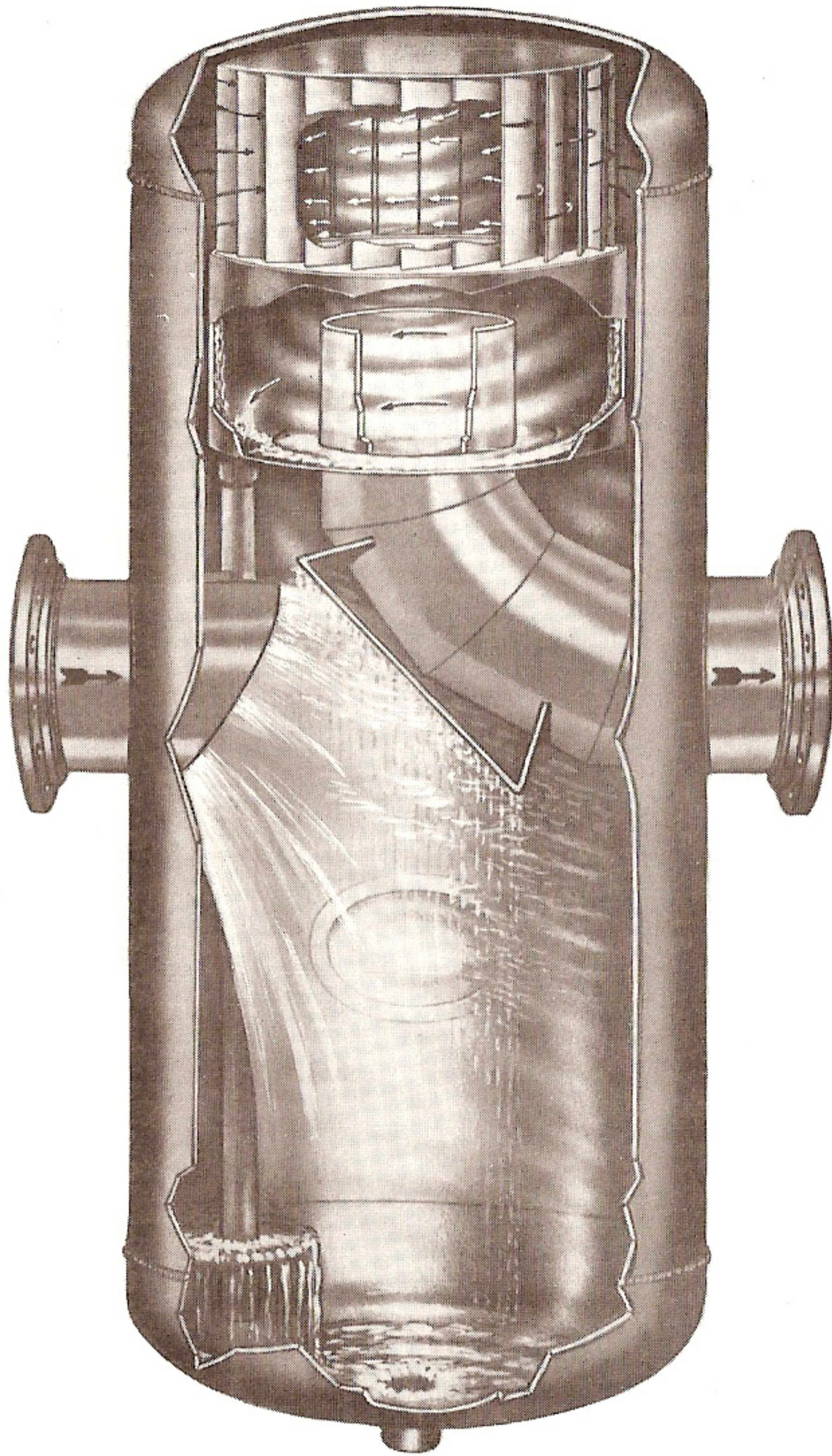
This separator is designed for liquid "slugs" or heavy liquid loads and can be provided with a large reservoir to meet liquid holdup requirements. Instrumentation is usually provided for level control purposes. These separators are widely used in the chemical and process industries where large volumes of liquid must be separated from gases. They also may be used as a flash or surge tank, or as a "scrubber" or "demister" ahead of steam turbines.

OPERATION

These separators have two stages to separating large volumes of liquid from a smaller volume of gas or vapor. In stage one, the liquid enters the inlet and is deflected downward losing velocity, this causes the majority of the liquid to drop into the reservoir. In stage two, the moisture-laden gas passes through a vaned element where the remaining moisture is separated and flows down to the reservoir.

FEATURES

- Suitable for any vapor or gas
- Element size based on vapor or gas flow only
- Vessel size based on liquid flow or liquid holdup requirements
- Large droplets removed by first-stage impingement plate before vapor passes through element
- Capable of handling large slugs of liquid
- Element constructed of carbon steel with 304L stainless steel blades
- Vessel normally carbon steel although all stainless steel construction available
- Low pressure drop
- No moving parts - no replacement costs
- Self cleaning - no maintenance costs
- Available in sizes upward from 3"
- Vessel design in accordance with the ASME Code for unfired pressure vessels - appropriate stamp applied at no charge
- Two 1/2" N.P.T. water gauge and one 1/4" N.P.T. vent connections included
- Can be furnished with more than one inlet or outlet or with added connections for control equipment



PERFORMANCE

The "10-R" separators when properly sized, installed and drained, are guaranteed to remove 99% of all liquid and solid entrainment, where particle size is 10 microns, or larger.

NOTE: For maximum capacities use 65% of capacity shown on TB-547 (steam) or TB-546 (air and other gases).

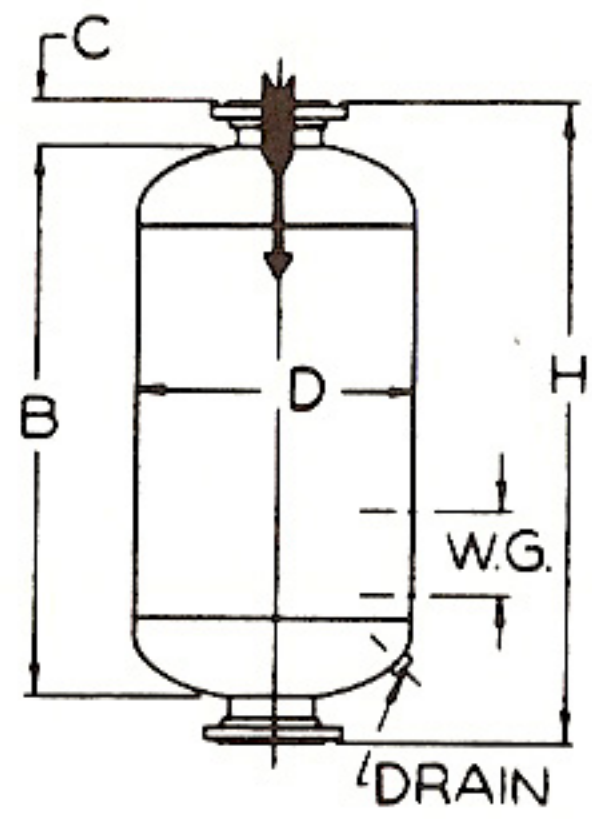
Effective Sept. 15, 1987

Litho in U.S.A.

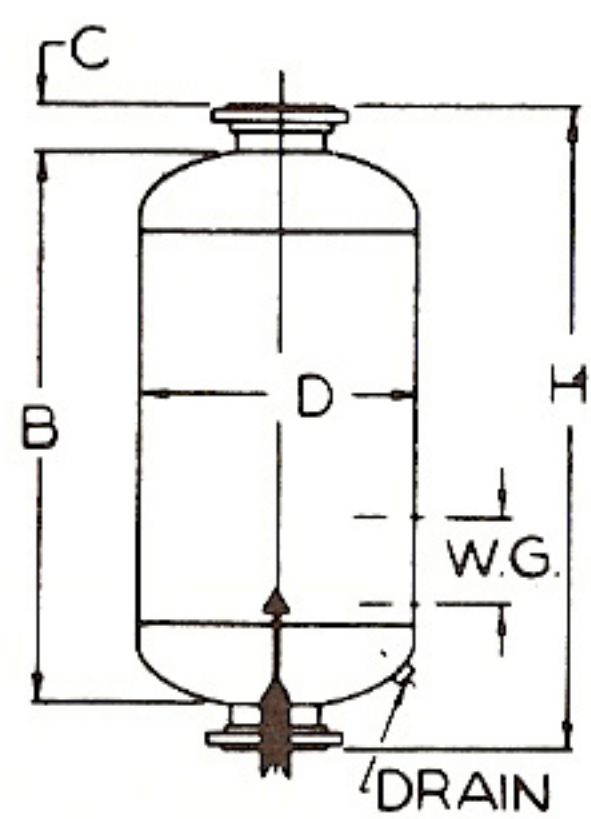
QUICK & DISCOUNTED PRICING
CLICK HERE
OR CALL (908) 362-9981

TB-549A

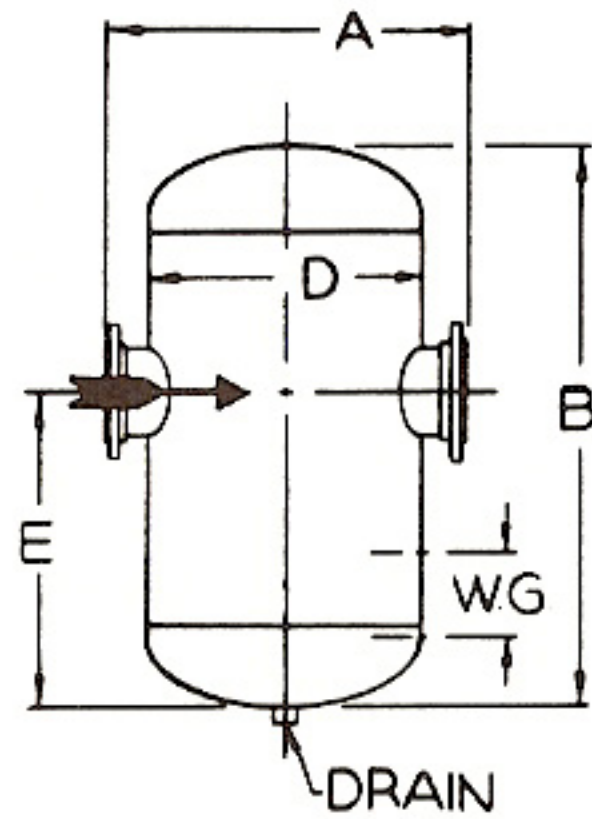
TYPE "10-R" SERIES GAS/LIQUID SEPARATORS



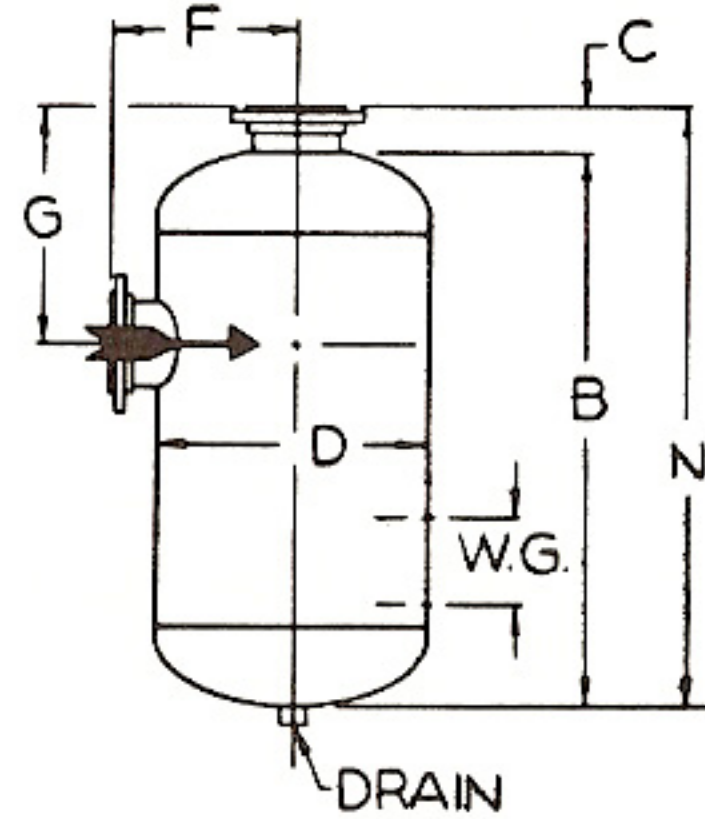
10-R



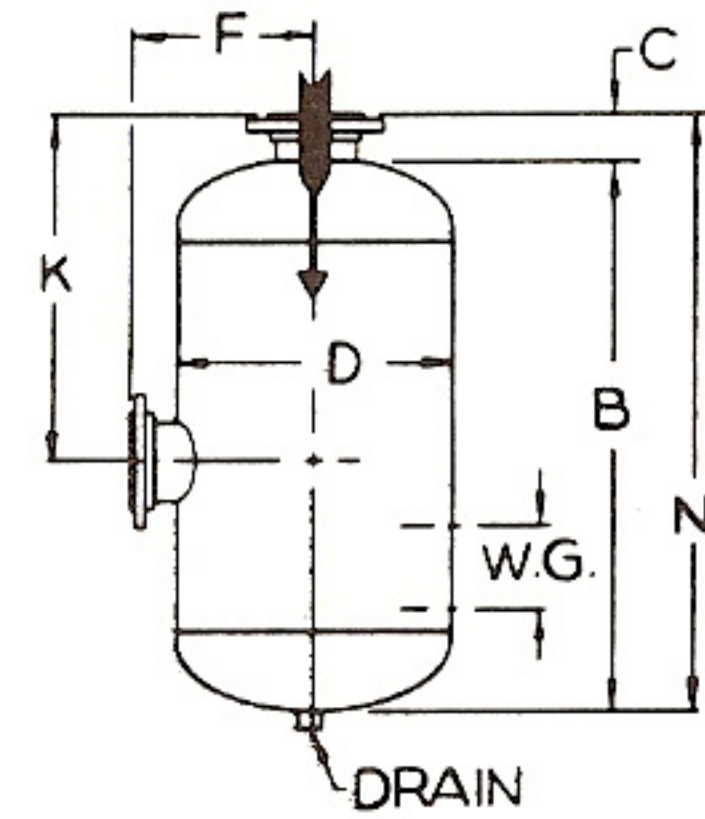
11-R



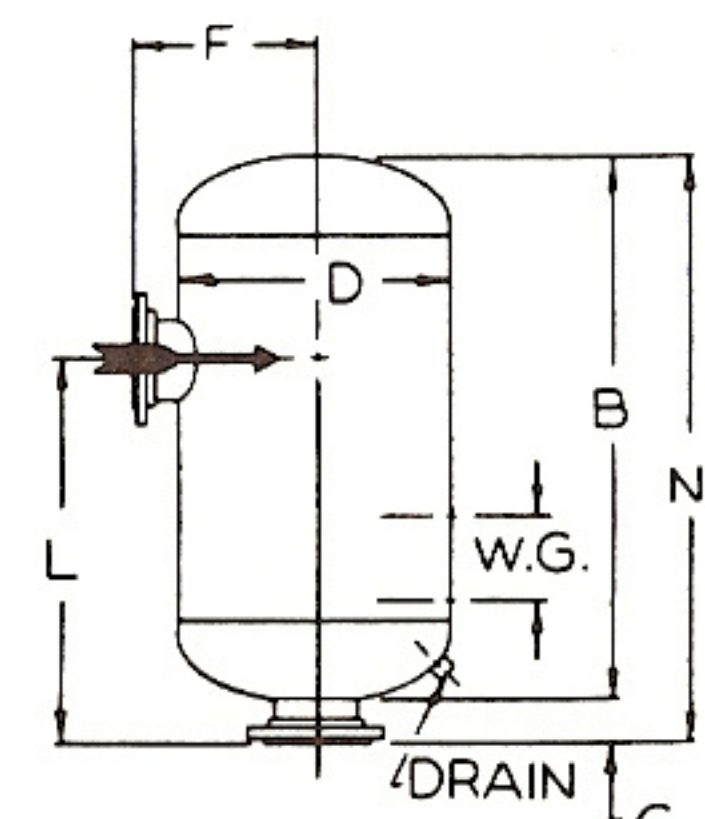
12-R



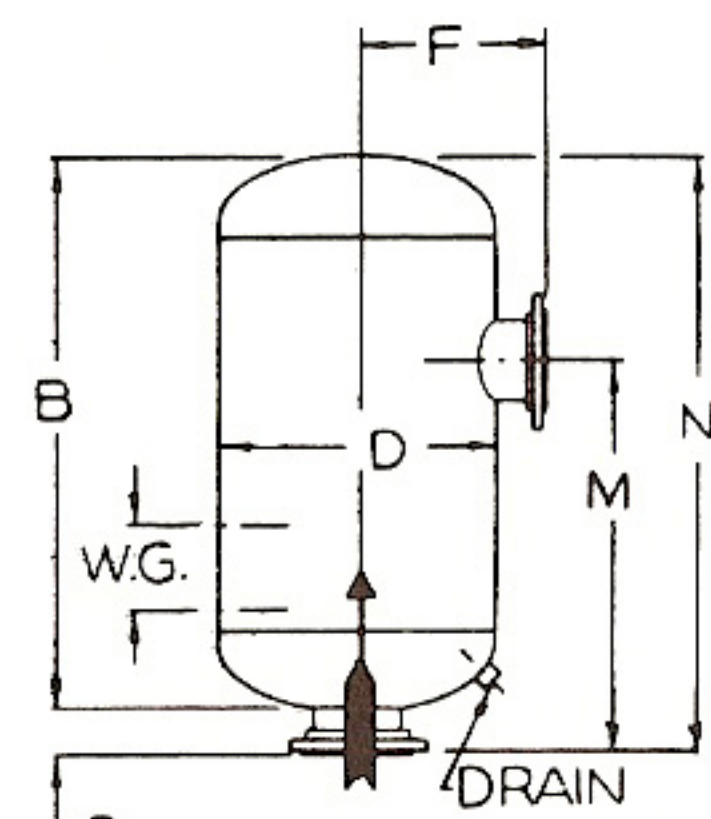
14-R



15-R



16-R



17-R

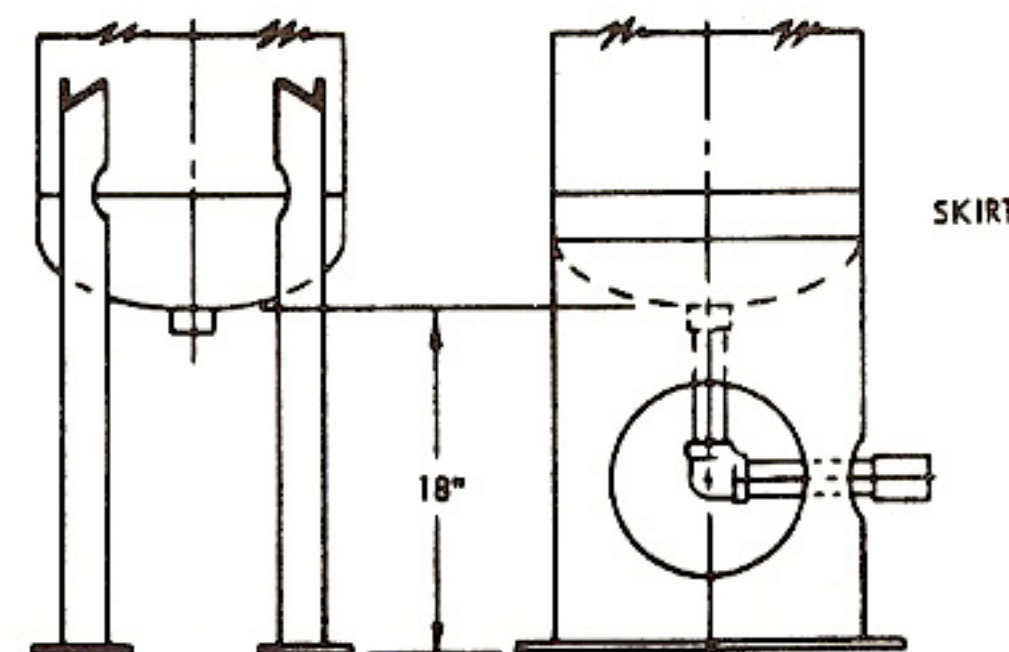
MINIMUM SIZE DIMENSIONS

NOMINAL SIZE	A	B	C	D	E	F	G	H	K	L	M	N	W.G. CONN. CENTER TO CENTER	DRAIN NPT	TOTAL VOLUME CU. FT.	CU. FT. PER INCH OF SHELL	LIQUID HOLDUP (CU. FT.)						
																	10-R	11-R	12-R	14-R	15-R	16-R	17-R
3"	16	28	4	8 5/8	14	8	15	36	21	18	18	32	6 3/4	1 1/2	.76	.03	.09	.21	.09	.12	.12	.21	.21
4"	20	35	4	10 3/4	19	10	20	43	23	20	20	39	6 3/4	1 1/2	1.47	.05	.22	.47	.35	.33	.35	.35	.35
5"	22	40	4	12 3/4	22	11	22	48	26	26	26	44	6 3/4	1 1/2	2.47	.07	.39	.61	.71	.61	.39	.71	.61
6"	24	48	4	16	26	12	24	56	30	32	32	52	6 3/4	1 1/2	4.82	.11	1.07	1.75	1.55	1.75	1.07	1.55	1.75
8"	30	56	5	20	32	15	27	66	37	37	37	61	7 7/8	2	8.86	.17	2.73	4.22	3.41	4.85	2.73	4.09	3.75
10"	34	64	5	24	35	17	35	74	45	40	40	69	7 7/8	2	14.69	.25	4.37	7.09	5.85	6.35	3.87	5.85	5.61
12"	38	72	5	28	39	19	38	82	51	44	44	77	7 7/8	2 1/2	22.70	.34	7.10	11.01	8.97	8.97	6.59	8.97	7.61
14"	42	80	5	32	41	21	42	90	55	46	46	85	7 7/8	2 1/2	32.60	.44	10.36	15.86	12.34	13.22	7.50	10.58	9.70
16"	46	88	5	36	44	23	45	98	60	48	48	93	7 7/8	3	45.75	.56	13.36	21.76	17.28	18.40	10.00	18.40	16.16

Printed dimensions above are for separators designed for 200 psi-300°F with 150# slip-on raised face flanges and for 250 psi-650°F with 300# slip-on raised flanges.

CERTIFIED FOR DIMENSIONS

SIZE	D	SUPPORT LEGS	SKIRT DIA.
3"	8 5/8"	1/4" x 2" x 2"	8 5/8"
4"	10 3/4"	1/4" x 2" x 2"	10 3/4"
5"	12 3/4"	1/4" x 2" x 2"	12 3/4"
6"	16"	5/16" x 2 1/2" x 2 1/2"	16"
8"	20"	5/16" x 2 1/2" x 2 1/2"	20"
10"	24"	5/16" x 2 1/2" x 2 1/2"	24"
12"	28"	5/16" x 2 1/2" x 2 1/2"	28"
14"	32"	3/8" x 3" x 3"	32"
16"	36"	3/8" x 3" x 3"	36"



OPTIONAL SUPPORTS

FOUR ANGLE LEGS OR BASE PLATES ARE OPTIONAL

QUICK & DISCOUNTED PRICING
[CLICK HERE](#)
 OR CALL (908) 362-9981

TB-549A