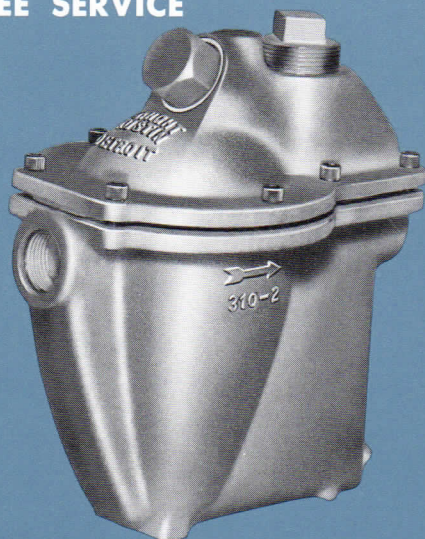


**THERMOSTATICALLY
CONTROLLED BUCKET
AND FLOAT TYPE**

STEAM TRAPS

FOR DIFFERENTIAL PRESSURES UP TO 250 P.S.I.

- COMPLETELY
AUTOMATIC
- HEAVY DUTY
CONSTRUCTION
- FOR STEAM LINES
FROM 1/2" TO 2-1/2"
- LONG, TROUBLE-
FREE SERVICE



REPRESENTATIVE

WRIGHT-AUSTIN COMPANY

DETROIT, MICHIGAN 48207



MANUFACTURERS OF
ENTRAINMENT SEPARATORS
EXHAUST HEADS
TRAPS, STRAINERS & AIR VENTS

THESE EFFICIENT STEAM TRAPS WERE THE RIGID SPECIFICATIONS OF MAIN

500-C SERIES

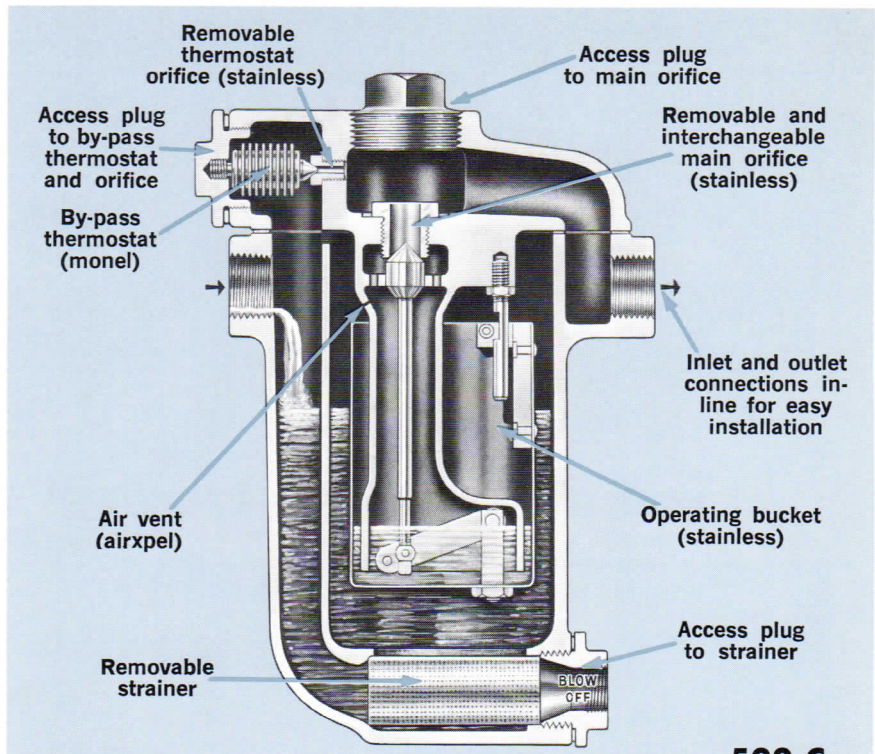
0.5 to 250 P.S.I. (See pressure and capacity chart, back page.)

These bucket type traps are ideal for discharging condensate which has been separated from steam lines at pressures up to 250 P.S.I.

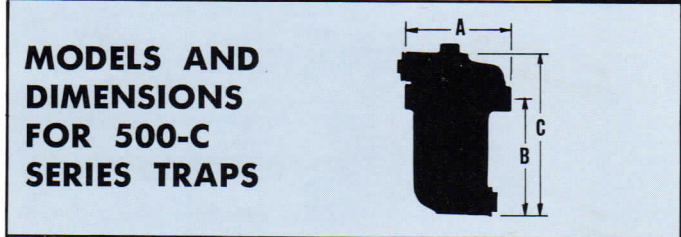
Check these advantages:

- **FASTER WARM-UP** — more efficient venting and discharge of air and condensate in the preliminary stage
- **KEEPS EQUIPMENT HOTTER** after initial warm-up by discharging it 1 to 2 degrees below steam saturation temperature
- **SAVES SPACE** — smaller trap is required since discharge capacity is greater
- **ALL PARTS ACCESSIBLE** without removing trap from line. Internal mechanism is attached to and removed with cover.

Both the thermostat orifice and main orifice are ground stainless steel threaded inserts, easily removed, and the built-in monel strainer with .033" perforations prevents scale and other foreign matter from clogging the main orifice air vent. The strainer is easily removed for cleaning, and a blow-off valve can be installed in the plug.



THERMOSTAT
The modern by-pass thermostat on all these traps is a liquid-filled, monel bellows-type assembly which snaps open at 10° below saturation temperature, increasing the discharge capacity of the trap. Since it is located above the line inlet, entrained solids don't interfere with its operation. So sensitive is it to variations in line temperature that it is actually a "trap within a trap."



TRAP	500-C	510-C	520-C	530-C	540-C	550-C
PIPE SIZE	1/2" and 3/4"	1/2", 3/4" and 1"	3/4", 1" and 1 1/4"	1", 1 1/4" and 1 1/2"	1 1/4", 1 1/2" and 2"	1 1/2" and 2"
A	5"	5 3/4"	7"	7 7/8"	8"	9 1/2"
B	4 1/2"	6"	6 7/8"	9 1/4"	11"	13"
C	7"	8 3/4"	10 1/8"	12 3/4"	15"	17 3/8"
WIDTH	3 3/4"	4 5/8"	5 1/2"	5 5/8"	6 5/8"	7 3/4"
WEIGHT	7#	11#	18#	22#	38#	52#
BLOW OFF	1/4"	3/8"	1/2"	1/2"	1/2"	3/4"

Size in circle is normal pipe size and is carried in stock. Others furnished on request.

230-C SERIES

0 to 125 P.S.I. (See pressure and capacity chart, back page.)

This dependable ball float trap is specially designed for low and medium pressure service on heating systems and other steam heated process equipment. Ideal for draining oil and condensate from oil separators, it constantly maintains a deep water seal to prevent waste of steam. Valve closes before complete discharge, retaining enough water in the trap to completely submerge the end of the outlet tube. Modern by-pass thermostat and strainer are standard.

Check these advantages:

- **HIGH CAPACITY** — small size
- **DEEP WATER SEAL** — prevents escape of steam
- **SIMPLE CONSTRUCTION** — designed for easy maintenance
- **REMOVABLE STRAINER** — traps foreign matter
- **ALL PARTS ACCESSIBLE** — internal mechanism is attached to cover

Internal parts are stainless steel, including the non-magnetic valve and seat. Body and cover are cast iron or bronze. The traps require no priming.

DESIGNED TO MEET ENHANCE ENGINEERS.

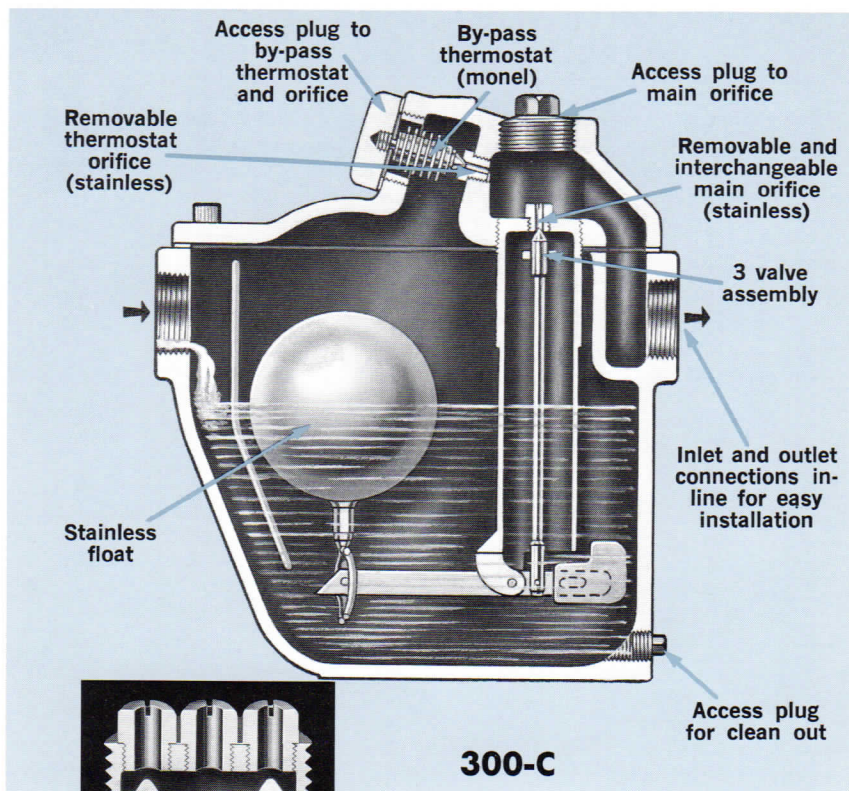
300-C SERIES

0 to 200 P.S.I. (See pressure and capacity chart, back page.)

"THREE TRAPS IN ONE" is the basic principle of these modern ball float traps. Three valves open and close progressively as condensate volume varies. As float chamber water level rises, the float lies deep in the water until its buoyancy overcomes the opposing steam pressure and snaps the valve wide open. When closing, as each valve approaches its seat, the steam pressure snaps it tightly closed. These traps have cast iron bodies, (cast bronze on special order), and stainless or copper internal parts. Modern by-pass thermostat is standard.

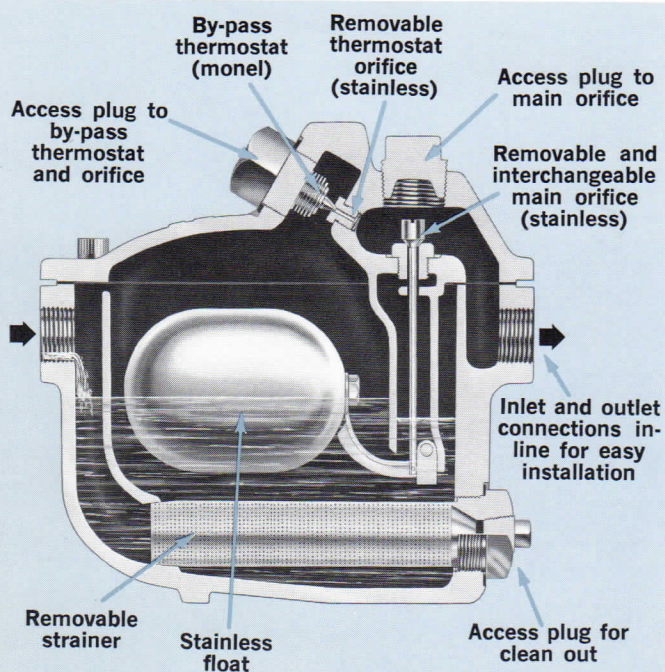
- **HIGH CAPACITY** — permits smaller size
- **ADAPTABLE** to any pressure up to 200 PSIG without changing valve seats. Adapts to light or heavy flow
- **DEEP WATER SEAL** — firmly maintained in any flow
- **NO THROTTLING EFFECT**
- **LONG LIFE** — unaffected by superheat
- **ALL PARTS ACCESSIBLE** — internal mechanism is attached to cover

Slight variations in float chamber water level will activate the valves. If a sudden surge of condensate requires greater discharge capacity, all three valves will open in rapid order.



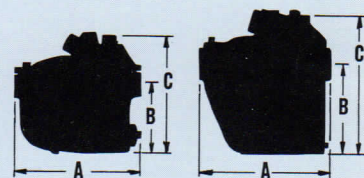
300-C

Close-up of valves and seats shows guides for centering each valve. Sudden surges of condensate cause valves to open and close rapidly in 1, 2, 3 order. Seats are easily removed with a screwdriver.



230-C

MODELS AND DIMENSIONS FOR 230-C AND 300-C SERIES TRAPS



TRAP	230-C	310-C	320-C	330-C	340-C	350-C	370-C
PIPE SIZE	3/4" and 1"	3/4" and 1"	1" and 1 1/4"	1 1/4" and 1 1/2"	1 1/2" and 2"	2" and 2 1/2"	2 1/2"
A	9"	9 1/8"	10 1/4"	10 3/4"	11 3/8"	14 3/8"	16 3/4"
B	4 7/8"	5 3/4"	6 3/8"	7 1/2"	7 5/8"	8 1/2"	10 1/8"
C	8 3/4"	9"	10"	11 5/8"	11 7/8"	14 1/4"	15 3/4"
WIDTH	5 3/4"	6 1/4"	6 5/8"	7"	7 7/8"	9 1/4"	11 3/4"
WEIGHT	21#	22#	26#	37#	44#	71#	108#
BLOW OFF	1/2"	3/8"	3/8"	3/8"	1/2"	1/2"	3/4"

Size in circle is normal pipe size and is carried in stock. Others furnished on request.

SELECTING THE PROPER TRAP MODEL

Traps should be selected on the basis of expected flow in pounds per hour of hot condensate at a specific differential pressure. 1.) First determine which style of trap you require, (bucket or ball float). 2.) Read vertically in the first column of the proper chart to the desired differen-

tial pressure. 3.) Read horizontally to the capacity valve next LARGER than required. 4.) On the 500-C SERIES chart, read diagonally upward within the same color background (blue or white) to proper model number. 5.) Reading straight upward from step 3 will give you proper

orifice size. 6.) On the 300-C and 230-C chart, read straight up from step 3 for both model number and orifice size.

NOTE: Traps will work up to the indicated pressure with the orifice shown, but will not operate at higher pressures.

CAPACITY LBS./HR. HOT CONDENSATE— 500-C SERIES TRAPS

DIFF. PRESS. P.S.I.	THERMO ORIFICE			MAIN ORIFICE																		
	500-C 510-C	520-C 530-C	540-C 550-C	500-C				510-C				520-C		530-C		540-C		550-C				
	1/8	3/16	3/8	1/16	5/64	3/32	1/8	9/64	5/32	3/16	7/32	1/4	9/32	5/16	3/8	7/16	1/2	9/16	5/8	3/4	7/8	1
0.5	90	205	750	23	35	50	90	115	150	205	280	360	445	560	750	1070	1400	1750	2150	3100	4000	5400
1.0	125	285	1080	32	45	70	125	165	210	285	390	500	630	800	1080	1500	2000	2450	3050	4300	5750	7700
3	215	480	1875	55	80	115	215	280	350	480	670	860	1100	1390	1875	2550	3400	4250	5200	7500	10200	13200
5	280	610	2400	70	105	150	280	360	450	610	850	1100	1420	1780	2400	3300	4400	5500	6800	9700	12800	17200
10	385	850	3400	95	145	210	385	500	620	850	1175	1550	1950	2450	3400	4700	6200	7900	9600	13500	18500	24600
15	465	1030	4100	115	175	255	465	590	760	1030	1410	1850	2400	3000	4100	5700	7500	9500	11750	16500	22500	30000
20	535	1175	4700	135	205	290	535	675	860	1175	1650	2100	2725	3450	4700	6500	8575	10900	13500	18650	25550	
30	645	1425	5700	160	250	355	645	780	1050	1425	1980	2550	3300	4190	5700	7900	10300	13400	16400	22600		
40	740	1650	6525	185	285	405	740	890	1200	1650	2250	2940	3800	4800	6525	9050	11800	15100	18700	26000		
50	820	1825	7250	205	315	450	820	1050	1340	1850	2550	3260	4230	5350	7250	10000	13250	16700	21000			
60	900	2000	7900	225	345	490	900	1145	1450	2000	2750	3550	4600	5800	7900	11000	14400	18300	22700			
70	965	2150	8500	245	370	530	965	1225	1570	2150	2950	3800	4950	6300	8500	11850	15500	19600				
80	1025	2260	9075	260	395	560	1025	1300	1675	2260	3145	4085	5250	6700	9075	12600	16500	21000				
90	1080	2400	9300	275	420	595	1080	1380	1755	2400	3300	4300	5600	7050	9300	13500	17500					
100	1145	2525	10000	290	435	625	1145	1450	1850	2525	3475	4525	5850	7400	10000	14000	18200					
110	1190	2645	10500	300	460	655	1190	1525	1940	2645	3650	4700	6100	7750	10500	14750						
120	1250	2750	11000	315	480	685	1250	1590	2050	2750	3800	4950	6400	8100	11000	15750						
130	1300	2850	11500	330	495	710	1300	1650	2100	2850	3950	5150	6650	8400	11500							
140	1345	2950	11750	340	515	730	1345	1700	2175	2950	4100	5300	6850	8700	11750							
150	1375	3050	12250	350	530	760	1375	1760	2250	3050	4200	5450	7400	9000	12250							
175	1470	3275	13150	375	570	815	1470	1800	2400	3275	4550		7600	9700	13150							
200				400		870			2000		3500		4800		8000	10300						
250				445		965			2240		3900				8975							
				510-S	520-S	530-S	540-S	550-S														

To find maximum continuous discharge capacity for warm-up or overload conditions, add capacity of thermostat orifice to that of main orifice.

Over 175 P.S.I. use 510-S or larger traps without thermostat.

CAPACITY LBS./HR. HOT CONDENSATE— 230-C AND 300-C SERIES TRAPS

DIFF. PRESSURE P.S.I.	THERMO ORIFICE				MAIN ORIFICE												
	230-C 310-C	330-C 340-C	350-C 370-C	230-C	310-C	320-C	330-C	340-C	350-C	370-C	230-C	310-C	320-C	330-C	340-C	350-C	370-C
	1/8"	3/16"	3/8"	7/32	9/32	3/32	1/8	1/8	9/64	5/32	5/32	3/16	7/32	1/4	5/16	3/8	
0.5	90	205	750	280	445		270		345		450		615		1080		2250
3	215	480	1875	670	1100		645		840		1050		1440		2580		5625
5	280	610	2400	850	1420		840		1080		1350		1830		3300		7200
10	385	850	3400	1175	1950		1155		1500		1860		2550		4650		10200
15	465	1030	4100	1410	2400		1395		1770		2280		3090		5550		12300
20	535	1175	4700	1650	2725		1605		2025		2580		3525		6300		14100
30	645	1425	5700	1980	3300		1935		2340		3150		4275		7650		17100
40	740	1650	6525	2250	3800		2220		2670		3600		4950		8820		19575
50	820	1825	7250	2550			2460		3150		4020		5475		9780		21750
60	900	2000	7900	2750			2700		3435		4350		6000		10650		23700
70	965	2150	8500	2950			2895		3675		4710		6450		11400		25500
80	1025	2260	9075	3145			3075		3900		5025		6780		12255		27225
90	1080	2400	9300	3300			3240		4140		5265		7200		12900		27900
100	1145	2525	10000	3475			3435		4350		5550		7575		13575		30000
110	1190	2645	10500	3650		1965		3570		4575		5820		10950		23250	
125	1275	2800	11225	3900		2085		3825		4860		6225		11625		24750	
140	1345	2950	11750			2190		4035		5100		6525		12300		26100	
150	1375	3050	12250			2280		4125		5280		6750		12600		27000	
175	1470	3275	13150			2445		4410		5400		7200		13650		29100	
200			14000											14400		30900	

HOW TO ORDER

Be sure to specify 1.) Trap model number, 2.) Pipe size, 3.) Maximum pressure, and 4.) Main orifice size.

HOW TO SPECIFY TRAPS

Traps shall be combination thermostatic type, open float (500-C Series), or ball float (300-C Series) or equal, with horizontal straight through connections. All working parts shall be monel or stainless steel and accessible without removing trap body from line in which it is installed. Air venting to be accomplished by means of an independent by-pass orifice controlled by a monel or stainless steel thermo-actuated bellows assembly. Traps to have integral strainer screen of monel or stainless steel. Units must be capable of discharging a large volume of air and condensate to temperatures within 10° of saturation. Units must also be able to discharge air and condensate at steam temperature. The main orifice should be interchangeable for all pressures without necessity of disassembling the trap.

WE ALSO HAVE INDIVIDUAL BULLETINS FOR TRAPS EXCEEDING 250 P.S.I. PRESSURE

WRITE FOR OUR BROCHURE DESCRIBING WRIGHT-AUSTIN ENTRAINMENT SEPARATORS

WRIGHT-AUSTIN COMPANY

GENERAL OFFICE

3245 Wight St., Detroit, Mich. 48207

Tel. (313) 259-1925 TELEX 23-0700



EXPORT DEPARTMENT

8 S. Michigan Ave.
Chicago, Ill. 60603
Tel. (312) 263-3461
Telex 2-5286

WRIGHT-AUSTIN (Canada) LTD.

93 Doncaster Avenue
Willowdale (Toronto) Ontario
Tel. (416) 889-7944
Telex. 02-21632

FILTRATION AND VALVES LTD.

Lye Near Stourbridge
Worcestershire, England
Tel. LYE. 3025
Telex 33-557

CONDENSEURS DELAS

46, Rue Lauriston
75116 Paris, France
Tel. (1) 727-7119
Telex 27-672