

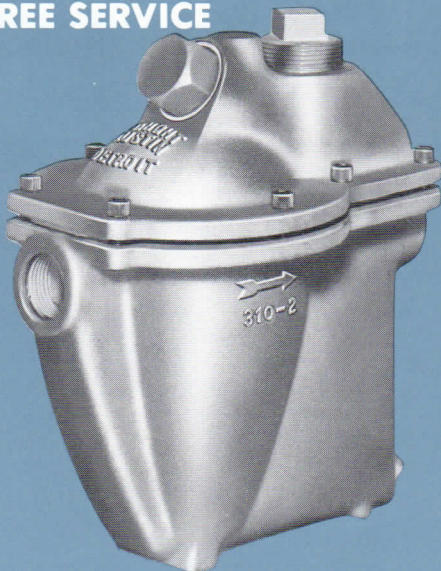


**THERMOSTATICALLY
CONTROLLED BUCKET
AND FLOAT TYPE**

STEAM TRAPS

FOR DIFFERENTIAL PRESSURES UP TO 250 P.S.I.

- COMPLETELY
AUTOMATIC
- HEAVY DUTY
CONSTRUCTION
- FOR STEAM LINES
FROM 3/4" TO 2-1/2"
- LONG, TROUBLE-
FREE SERVICE



WRIGHT-AUSTIN COMPANY
DETROIT, MICHIGAN 48207

REPRESENTATIVE

MANUFACTURERS OF
GAS/LIQUID SEPARATORS
EXHAUST HEADS
TRAPS, STRAINERS & AIR VENTS

THESE EFFICIENT STEAM TRAPS WERE THE RIGID SPECIFICATIONS OF MAI

500-C SERIES

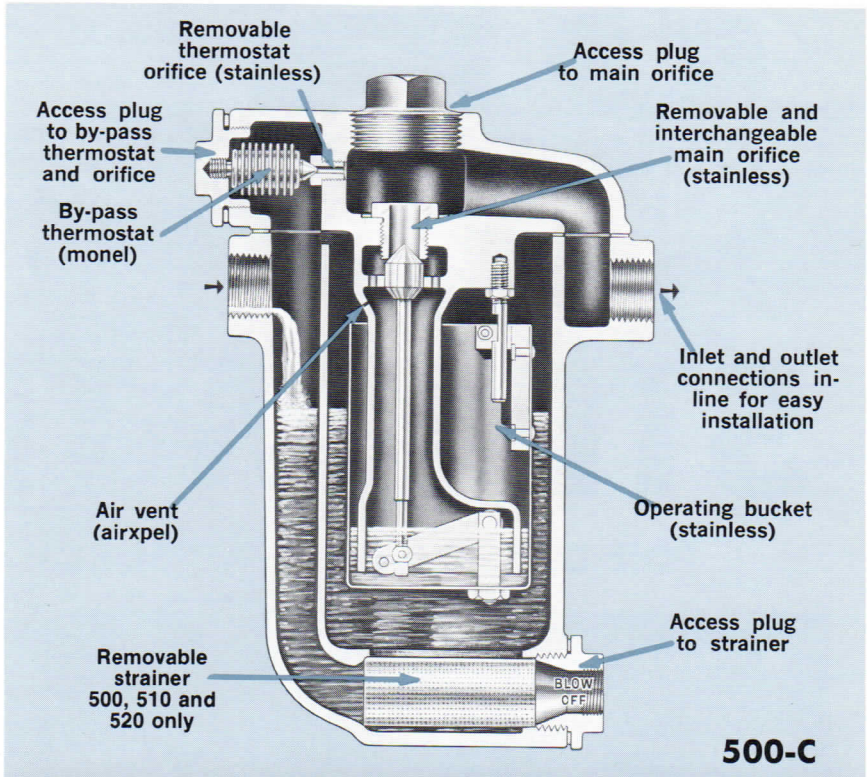
0.5 to 250 P.S.I. (See pressure and capacity chart, back page.)

These bucket type traps are ideal for discharging condensate which has been separated from steam lines at pressures up to 250 P.S.I.

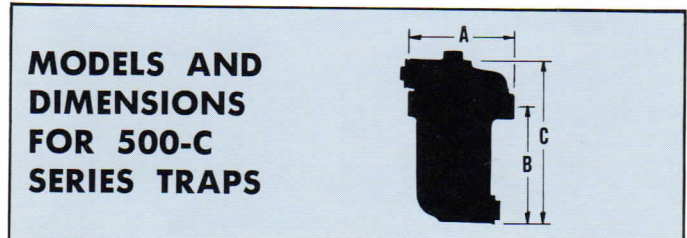
Check these advantages:

- **FASTER WARM-UP** — more efficient venting and discharge of air and condensate in the preliminary stage
- **KEEPS EQUIPMENT HOTTER** after initial warm-up by discharging it 1 to 2 degrees below steam saturation temperature
- **SAVES SPACE** — smaller trap is required since discharge capacity is greater
- **ALL PARTS ACCESSIBLE** without removing trap from line. Internal mechanism is attached to and removed with cover.

Both the thermostat orifice and main orifice are ground stainless steel threaded inserts, easily removed, and the built-in monel strainer with .033" perforations prevents scale and other foreign matter from clogging the main orifice air vent. The strainer is easily removed for cleaning, and a blow-off valve can be installed in the plug.



THERMOSTAT
 The modern by-pass thermostat on all these traps is a liquid-filled, monel bellows-type assembly which snaps open at 10° below saturation temperature, increasing the discharge capacity of the trap. Since it is located above the line inlet, entrained solids don't interfere with its operation. So sensitive is it to variations in line temperature that it is actually a "trap within a trap."



TRAP	500-C	510-C	520-C	530-C	540-C	550-C
PIPE SIZE	3/4"	1"	1 1/4"	1 1/2"	2"	2"
A	5"	5-3/4"	7"	7-3/8"	8-1/4"	9-5/8"
B	4-1/2"	6-1/8"	6-7/8"	8-7/8"	11"	13-1/4"
C	7"	8-7/8"	10-1/8"	12-1/2"	15"	17-3/8"
WIDTH	4-1/16"	5"	5-5/8"	5-7/8"	6-3/4"	8-1/8"
WEIGHT	8#	11#	18#	22#	38#	52#
BLOW OFF	1/4"	3/8"	1/2"	1"	1"	1-1/4"

230-C SERIES

0 to 125 P.S.I. (See pressure and capacity chart, back page.)

This dependable ball float trap is specially designed for low and medium pressure service on heating systems and other steam heated process equipment. Ideal for draining oil and condensate from oil separators, it constantly maintains a deep water seal to prevent waste of steam. Valve closes before complete discharge, retaining enough water in the trap to completely submerge the end of the outlet tube. Modern by-pass thermostat and strainer are standard.

Check these advantages:

- **HIGH CAPACITY** — small size
- **DEEP WATER SEAL** — prevents escape of steam
- **SIMPLE CONSTRUCTION** — designed for easy maintenance
- **REMOVABLE STRAINER** — traps foreign matter
- **ALL PARTS ACCESSIBLE** — internal mechanism is attached to cover

Internal parts are stainless steel, including the non-magnetic valve and seat. Body and cover are cast iron or bronze. The traps require no priming.

DESIGNED TO MEET MAINTENANCE ENGINEERS.

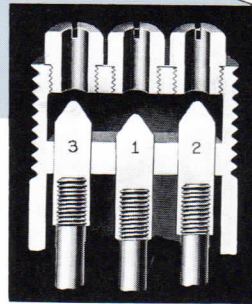
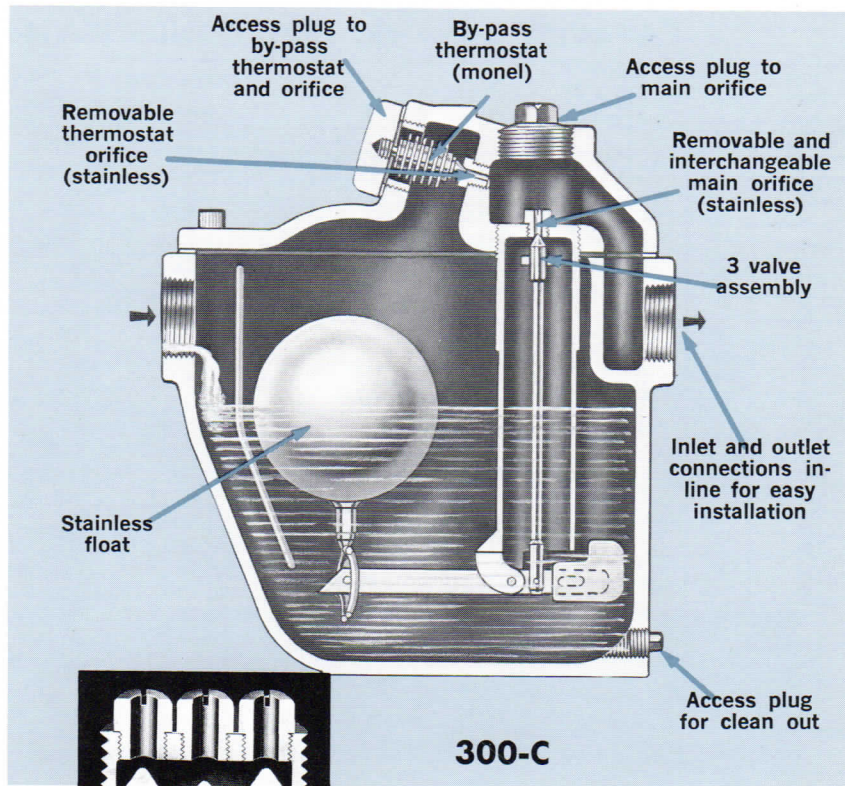
300-C SERIES

0 to 200 P.S.I. (See pressure and capacity chart, back page.)

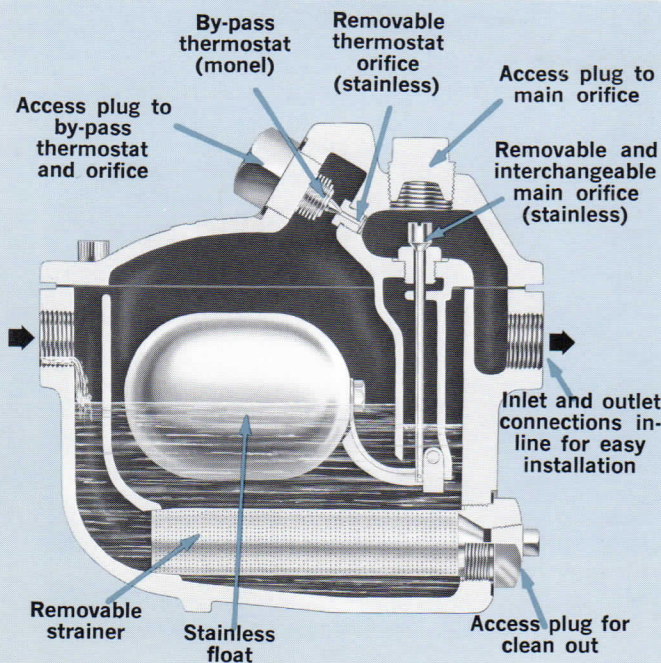
"THREE TRAPS IN ONE" is the basic principle of these modern ball float traps. Three valves open and close progressively as condensate volume varies. As float chamber water level rises, the float lies deep in the water until its buoyancy overcomes the opposing steam pressure and snaps the valve wide open. When closing, as each valve approaches its seat, the steam pressure snaps it tightly closed. These traps have cast iron bodies, (cast bronze on special order), and stainless or copper internal parts. Modern by-pass thermostat is standard.

- **HIGH CAPACITY** — permits smaller size
- **ADAPTABLE** to any pressure up to 200 PSIG without changing valve seats. Adapts to light or heavy flow
- **DEEP WATER SEAL** — firmly maintained in any flow
- **NO THROTTLING EFFECT**
- **LONG LIFE** — unaffected by superheat
- **ALL PARTS ACCESSIBLE** — internal mechanism is attached to cover

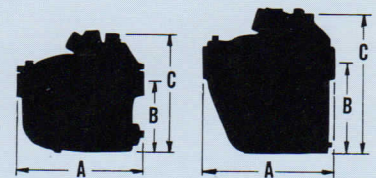
Slight variations in float chamber water level will activate the valves. If a sudden surge of condensate requires greater discharge capacity, all three valves will open in rapid order.



Close-up of valves and seats shows guides for centering each valve. Sudden surges of condensate cause valves to open and close rapidly in 1, 2, 3 order. Seats are easily removed with a screwdriver.



MODELS AND DIMENSIONS FOR 230-C AND 300-C SERIES TRAPS



TRAP	230-C	310-C	320-C	330-C	340-C	350-C	370-C
PIPE SIZE	1"	1"	1 1/4"	1 1/2"	2"	2"	2 1/2"
A	9"	9-1/4"	10-1/4"	10-3/4"	11-3/4"	14-3/8"	16-3/4"
B	4-7/8"	5-3/4"	6-3/8"	7-5/8"	7-5/8"	8-1/2"	10-1/8"
C	8-3/4"	9"	10-1/8"	12"	12-1/8"	14-1/4"	15-3/4"
WIDTH	5-3/4"	6-1/2"	6-5/8"	7-1/8"	7-7/8"	9-1/4"	11-3/4"
WEIGHT	21#	23#	27#	38#	46#	73#	110#
BLOW OFF	1/2"	3/4"	1"	1"	1"	1/2"	3/4"

SELECTING THE PROPER TRAP MODEL

Traps should be selected on the basis of expected flow in pounds per hour of hot condensate at a specific differential pressure. 1.) First determine which style of trap you require, (bucket or ball float). 2.) Read vertically in the first column of the proper chart to the desired differen-

tial pressure. 3.) Read horizontally to the capacity valve next LARGER than required. 4.) On the 500-C SERIES chart, read diagonally upward within the same color background (blue or white) to proper model number. 5.) Reading straight upward from step 3 will give you proper

orifice size. 6.) On the 300-C and 230-C chart, read straight up from step 3 for both model number and orifice size.

NOTE: Traps will work up to the indicated pressure with the orifice shown, but will not operate at higher pressures.

CAPACITY LBS./HR. HOT CONDENSATE— 500-C SERIES TRAPS

DIFF. PRESS. P.S.I.	THERMO ORIFICE			MAIN ORIFICE																							
	500-C 510-C	520-C 530-C	540-C 550-C	500-C				510-C				520-C				530-C				540-C				550-C			
	ORF. DIA.	1/8	3/16	3/8	1/16	5/64	3/32	1/8	9/64	5/32	3/16	7/32	1/4	9/32	5/16	3/8	7/16	1/2	9/16	5/8	3/4	7/8	1				
0.5	45	102	375	11	17	25	45	57	75	102	140	180	222	280	375	535	700	875	1075	1550	2000	2700					
1.0	68	156	594	17	24	38	68	90	115	156	214	275	346	440	594	825	1100	1347	1677	2365	3162	4235					
3	129	288	1125	33	48	69	129	168	210	288	402	516	660	834	1125	1530	2040	2550	3120	4500	6120	7920					
5	182	396	1560	45	68	97	182	234	292	396	552	715	923	1157	1560	2145	2860	3575	4420	6305	8320	11180					
10	269	595	2380	66	101	147	269	350	434	595	822	1085	1365	1715	2380	3290	4340	5530	6720	9450	12950	17220					
15	348	772	3075	86	131	191	348	442	570	772	1057	1387	1800	2250	3075	4275	5625	7125	8812	12375	16875	22500					
20	428	940	3760	108	164	232	428	540	688	940	1320	1680	2180	2760	3760	5200	6860	8720	10800	14920	20440						
30	548	1211	4845	136	212	301	548	663	892	1211	1683	2167	2805	3561	4845	6715	8755	11390	13940	19210							
40	666	1485	5872	166	256	364	666	801	1080	1485	2025	2646	3420	4320	5872	8145	10620	13590	16830	23400							
50	779	1733	6887	194	299	427	779	997	1273	1733	2422	3097	4018	5082	6887	9500	12587	15865	19950								
60	900	2000	7900	225	345	490	900	1145	1450	2000	2750	3550	4600	5800	7900	11000	14400	18300	22700								
70	965	2150	8500	245	370	530	965	1225	1570	2150	2950	3800	4950	6300	8500	11850	15500	19600									
80	1025	2260	9075	260	395	560	1025	1300	1675	2260	3145	4085	5250	6700	9075	12600	16500	21000									
90	1080	2400	9300	275	420	595	1080	1380	1755	2400	3300	4300	5600	7050	9300	13500	17500										
100	1145	2525	10000	290	435	625	1145	1450	1850	2525	3475	4525	5850	7400	10000	14000	18200										
110	1190	2645	10500	300	460	655	1190	1525	1940	2645	3650	4700	6100	7750	10500	14750											
120	1250	2750	11000	315	480	685	1250	1590	2050	2750	3800	4950	6400	8100	11000	15750											
130	1300	2850	11500	330	495	710	1300	1650	2100	2850	3950	5150	6650	8400	11500												
140	1345	2950	11750	340	515	730	1345	1700	2175	2950	4100	5300	6850	8700	11750												
150	1375	3050	12250	350	530	760	1375	1760	2250	3050	4200	5450	7400	9000	12250												
175	1470	3275	13150	375	570	815	1470	1800	2400	3275	4550	7600	9700	13150													
200			14000	400		870		2000		3500	4800		8000	10300													
250				445		965		2240		3900			8975														

Over 175 P.S.I. use 510-S or larger traps without thermostat.

CAPACITY LBS./HR. HOT CONDENSATE— 230-C AND 300-C SERIES TRAPS

DIFF. PRESSURE P.S.I.	THERMO ORIFICE			MAIN ORIFICE												
	230-C 310-C 320-C	330-C 340-C	350-C 370-C	230-C	310-C	320-C	330-C	340-C	350-C	370-C						
	ORF. DIA.	1/8	3/16	3/8	7/32	9/32	3/32	1/8	9/64	5/32	5/32	3/16	7/32	1/4	5/16	3/8
0.5	45	102	375	140	222		135		172		225		307		540	1125
3	129	288	1125	402	660		387		504		630		864		1548	3375
5	182	396	1560	552	923		546		702		877		1189		2145	4680
10	269	595	2380	822	1365		808		1050		1302		1785		3255	7140
15	348	772	3075	1057	1800		1046		1327		1710		2317		4162	9225
20	428	940	3760	1320	2180		1284		1620		2064		2820		5040	11280
30	548	1211	4845	1683	2805		1644		1989		2677		3633		6502	14535
40	666	1485	5872	2025	3420		1998		2403		3240		4455		7938	17617
50	779	1733	6887	2422			2337		2992		3819		5201		9291	20662
60	900	2000	7900	2750			2700		3435		4350		6000		10650	23700
70	965	2150	8500	2950			2895		3675		4710		6450		11400	25500
80	1025	2260	9075	3145			3075		3900		5025		6780		12255	27225
90	1080	2400	9300	3300			3240		4140		5265		7200		12900	27900
100	1145	2525	10000	3475			3435		4350		5550		7575		13575	30000
110	1190	2645	10500	3650			1965		3570		4575		5820		10950	23250
125	1275	2800	11225	3900			2085		3825		4860		6225		11625	24750
140	1345	2950	11750				2190		4035		5100		6525		12300	26100
150	1375	3050	12250				2280		4125		5280		6750		12600	27000
175	1470	3275	13150				2445		4410		5400		7200		13650	29100
200			14000												14400	30900

HOW TO ORDER

Be sure to specify 1.) Trap model number, 2.) Pipe size, 3.) Maximum pressure, and 4.) Main orifice size.

HOW TO SPECIFY TRAPS

Traps shall be combination thermostatic type, open float (500-C Series), or ball float (300-C Series) or equal, with horizontal straight through connections. All working parts shall be monel or stainless steel and accessible without removing trap body from line in which it is installed. Air venting to be accomplished by means of an independent by-pass orifice controlled by a monel or stainless steel thermo-actuated bellows assembly. Traps to have integral strainer screen of monel or stainless steel. Units must be capable of discharging a large volume of air and condensate to temperatures within 10° of saturation. Units must also be able to discharge air and condensate at steam temperature. The main orifice should be interchangeable for all pressures without necessity of disassembling the trap.

WE ALSO HAVE INDIVIDUAL BULLETINS FOR TRAPS EXCEEDING 250 P.S.I. PRESSURE



WRITE FOR OUR BROCHURE DESCRIBING WRIGHT-AUSTIN ENTRAINMENT SEPARATORS

WRIGHT-AUSTIN COMPANY

WRIGHT-AUSTIN LIMITED
P.O. Box 7267
Windsor, Ontario N9C 3Z1
Phone: (519) 255-9740
FAX: (519) 255-7448

GENERAL OFFICE
3250 Franklin St., Detroit, Mich. 48207
Tel. (313) 259-1925 FAX (313) 259-1962

EXPORT DEPARTMENT
111 East Wacker Drive, Suite 3021
Chicago, Illinois 60601
Phone: (312) 540-0075
FAX: (312) 540-0711