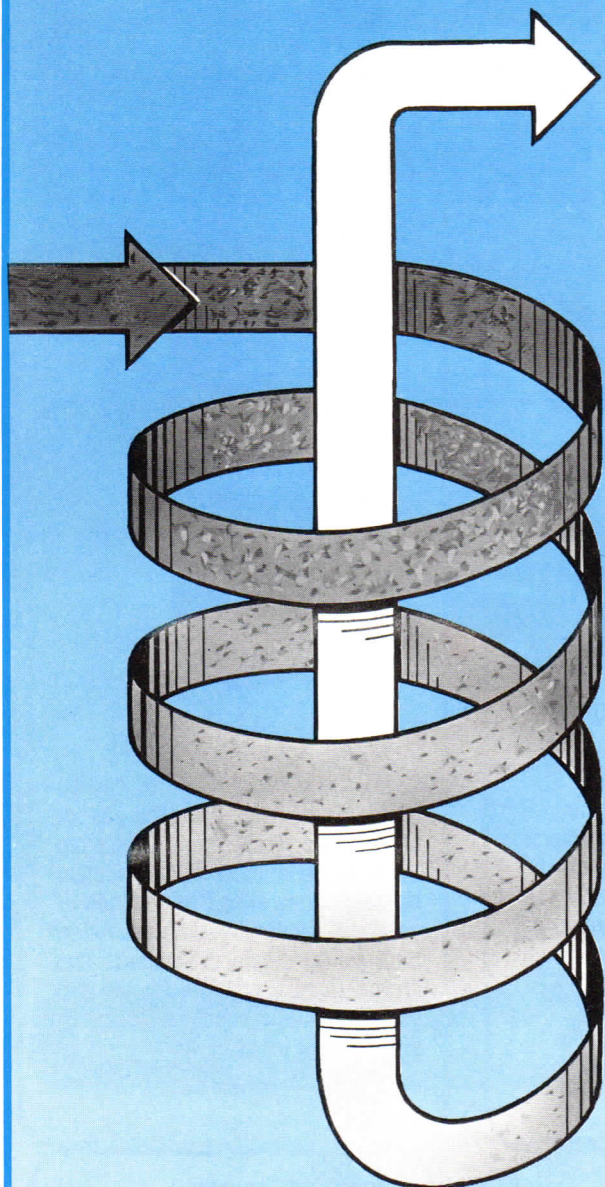




GAS / LIQUID SEPARATION AND DRAINING EQUIPMENT

Since 1894 Wright-Austin has led the industry with carefully engineered and quality built products incorporating advanced ideas and "better way" designs. Our continuing development program is constantly alert to changing requirements. We strive to offer the best products available for your needs. All Wright-Austin products are designed and manufactured to meet ASME and other applicable codes.

This brochure briefly covers our complete line of products for your quick reference and convenience. You will find a Technical Bulletin number listed at each item. This bulletin will supply every detail necessary for your proper selection and application of that item.



WRIGHT-AUSTIN COMPANY

DETROIT, MICHIGAN 48207

MANUFACTURERS OF
GAS/LIQUID SEPARATORS
EXHAUST HEADS
TRAPS, STRAINERS & AIR VENTS

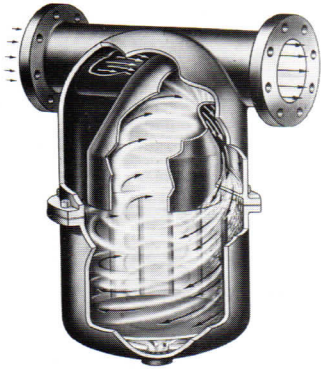
REPRESENTED BY:

INDEX

	Page
GAS / LIQUID SEPARATORS	
Type "T" Separators (steam, air, gas)	2
Combination Separator/Traps	2
Centrifugal Type, In-line Separators	3
Low Profile Separator/Traps	3
Vertical Downflow Separator/Traps	3
Internal Separators	4
Receiver Type Separators	4
Dry Type Separators	7
EXHAUST HEADS	
Cast Iron Exhaust Heads	4
Fabricated Steel Exhaust Heads	4
STEAM & AIR FLOW CAPACITY CHARTS	5
TRAPS	
Air and Gas Drain Traps (Float & Bucket)	6
Steam Drain Traps (Bucket & Float)	6
Air Vent Traps	7
Low Pressure Float Drain Traps	7
DRAINER TANKS	7
STRAINERS — "Y" Type	7
LIQUID LEVEL GAGES	7

TYPE "T" GAS / LIQUID SEPARATORS

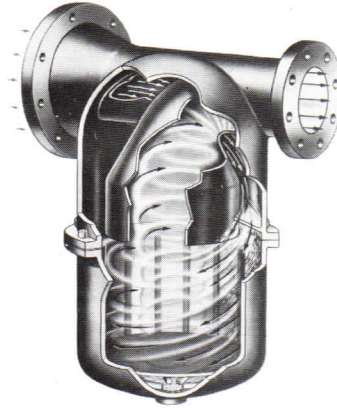
These high efficiency separators have Wright-Austin's exclusive VCP ("Vortex Containment Plate") and centrifugal action which assures maximum separation of entrainment and minimum possibility of reentrainment, without complicated baffles, deflectors etc., that obstruct the flow-stream. All "T" type models are constructed to ASME requirements.



TYPE "T" CAST IRON
(160 PSI/450°F) or
(250 PSI/250°F)

This separator is code constructed of cast iron and is suitable for a wide range of applications, such as steam lines and compressed air lines. It is available with threaded ends in 3/4 to 3 inch pipe sizes and flanged ends in 2 to 5 inch sizes (125 lb. ANSI). Also available in cast bronze (300PSI/500°F) in pipe sizes up to 2-1/2 inches.

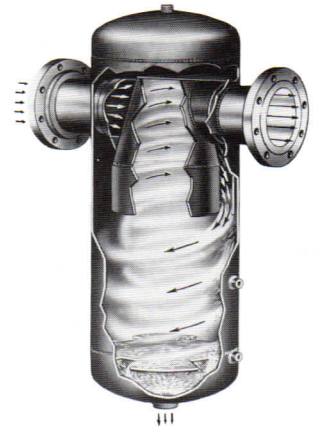
Ask for Technical Bulletin 541



TYPE "TW" CAST IRON
(150 PSI/450°F)
for Aftercoolers

This model is specially designed for use at the outlet of air aftercoolers. The inlet is enlarged to match the outlet of a standard aftercooler as produced by principal manufacturers. Available with 2-1/2 to 8 inch flanged inlet and 2 to 3 inch NPT threaded or 4 to 6 inch 125 lb. flanged outlet.

Ask for Technical Bulletin 540



TYPE "T" CARBON STEEL

ASME Code constructed of carbon or stainless steel for air, gas or steam lines. Pipe sizes range from 3/4" to 30". Ideal for installation in steam lines ahead of turbines or pressure reducing valves when high purity steam is desired. The type T is also suitable for air and other gas applications with heavy entrainment loads.

Ask for Technical Bulletin 535

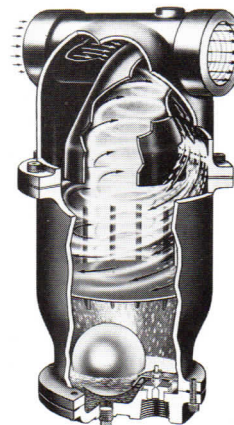
TYPE "ST" & "STH" COMBINATION SEPARATOR/TRAP CAST IRON (160 PSI/450°F) or (250 PSI/250°F)

A compact, easily installed combination unit which can be supported by the line. Has our exclusive "Vortex Containment Plate". Design and construction follows ASME code for unfired vessels. Internal parts are stainless steel with non-magnetic valve and seat. Efficiently removes entrainment and automatically ejects condensate at predetermined level without loss of line pressure.

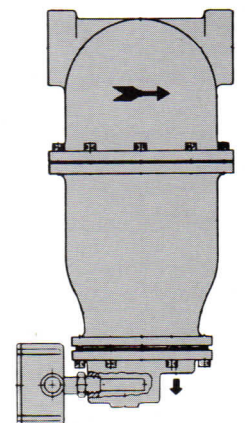
MODEL "STH" is identical to "ST" but also has a 50 watt, 110 volt brass-copper, self limiting heating element to prevent freezing. Does not add to temperature of air in lines.

Both models are available in 3/4 to 3 inch, NPT threaded, and 2 to 5 inch flanged end pipe sizes.

Ask for Technical Bulletin 534



MODEL ST



MODEL STH

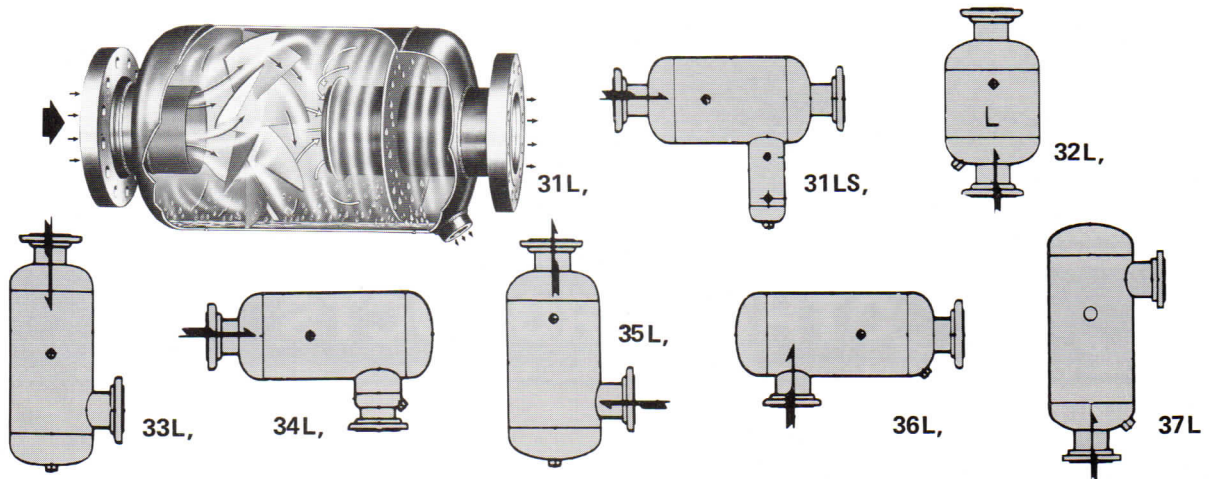
30-L SERIES CENTRIFUGAL TYPE IN-LINE GAS / LIQUID SEPARATORS

for high, medium or low pressure
air, gas or steam

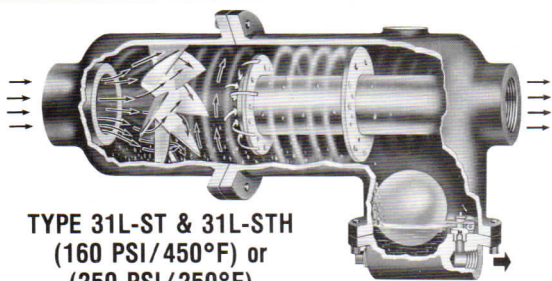
These separators are very compact, requiring little more space than the line. Pressure drop is minimal. Our exclusive "vortex containment plate" and centrifugal action assure maximum efficiency. They are self-cleaning, have no moving parts and are ideally suited to a wide range of applications.

These separators are available in eleven models, eight of which are shown below. Pipe sizes from 1-1/2 to 48 inches. All models constructed to ASME requirements. Available in carbon or stainless steel.

For Detailed Information Ask for Bulletin 809



LOW PROFILE & VERTICAL DOWNFLOW SEPARATOR/TRAPS



TYPE 31L-ST & 31L-STH
(160 PSI/450°F) or
(250 PSI/250°F)

An economical, highly efficient combined separator/trap for air and gas service. Compact, low profile design is easily installed and supported in-line. Centrifugal action removes over 99% of entrained liquids and particulate. "VCP" prevents re-entrainment. Built-in ball float trap automatically drains collected effluent. STH model has a self-limiting heating element to prevent freezing.

1 to 3 inch sizes, NPT threaded cast iron.
2 to 4 inch sizes, flanged ends cast iron.

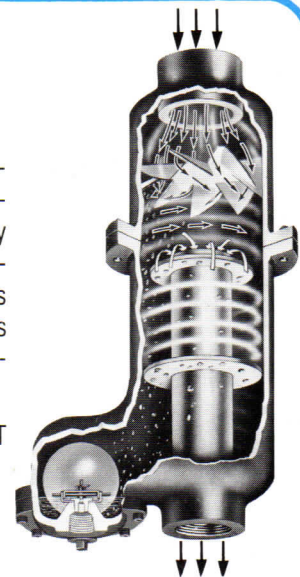
Ask for Technical Bulletin 531

TYPE 30L-ST & 30L-STH
(160 PSI/450°F) or
(250 PSI/250°F)

Easily installed and supported in-line. 99% efficient over entire velocity range. VCP prevents re-entrainment. Built-in trap is automatic. STH model has a self-limiting heating element to prevent freezing.

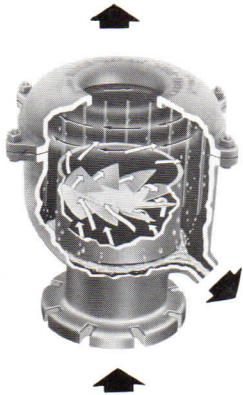
1 to 3 inch sizes, NPT threaded cast iron.

Ask for Technical Bulletin 532



EXHAUST HEADS

"40EHC" CAST IRON EXHAUST HEADS

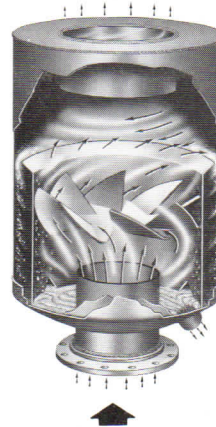


A simple efficient unit for separating objectionable entrainment from exhaust steam, gases, and vapors. Features our high efficiency VCP principle which affords positive shear action at liquid-vapor interface. Practically no back pressure. No maintenance.

Pipe sizes 1 to 4 inches have threaded inlet connection. Sizes 4 to 10 inches have flanged inlet connection.

Ask for Detailed Bulletin 813

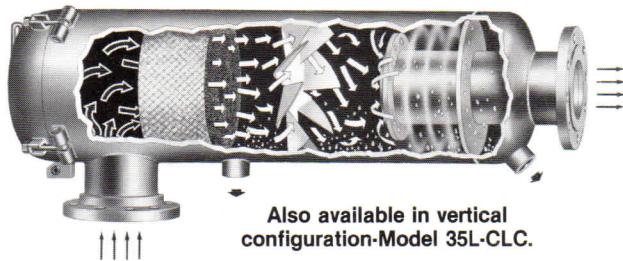
"40EHMF" FABRICATED CARBON OR STAINLESS STEEL EXHAUST HEADS



A heavy duty centrifugal exhaust head fabricated from electrically welded steel plate. Will provide many years of service removing 99% of your exhaust air, gas, or steam contaminates sized 10 microns and larger. Features include: the same stainless separating element used in our state-of-the-art type 32-L upflow gas/liquid separator, low back pressure, ability to handle high temperatures and high velocities, and pipe sizes 2 to 48 inches.

Ask for Detailed Bulletin 813

OTHER PRODUCTS



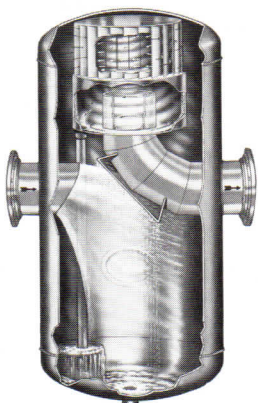
Also available in vertical configuration-Model 35L-CLC.

"36L-CLC" COALESCER/SEPARATOR

A highly efficient two stage separator designed for removal of fine oil or water mist or fog from gas or vapor lines. Ideal for use with compressed air or gases, overhead steam, fuel gas lines and natural or manufactured gas distribution lines.

Ask for Technical Bulletin 550

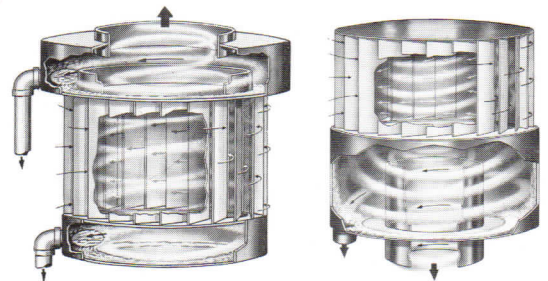
"10-R" SERIES RECEIVER TYPE GAS / LIQUID SEPARATORS



A high efficiency, two stage, large volume separator for many applications. Suitable for any vapor or gas. Can handle large slugs of liquid. Minimal pressure drop. No moving parts, no maintenance, self cleaning.

Ideal for chemical process applications or ahead of reciprocating steam engines to dampen pulsations. 2 to 24 inch pipe sizes. Available in carbon or stainless steel.

Ask for Technical Bulletin 549



INTERNAL GAS / LIQUID SEPARATORS (Type "60-I" Upflow, Type "70-I" Downflow)

Electrically welded, carbon steel units, stainless steel directional vanes. Used for removing entrainment from evaporators and large vessels. Compact for installation through man ways in existing installations. Available in 2 to 48 inch pipe sizes.

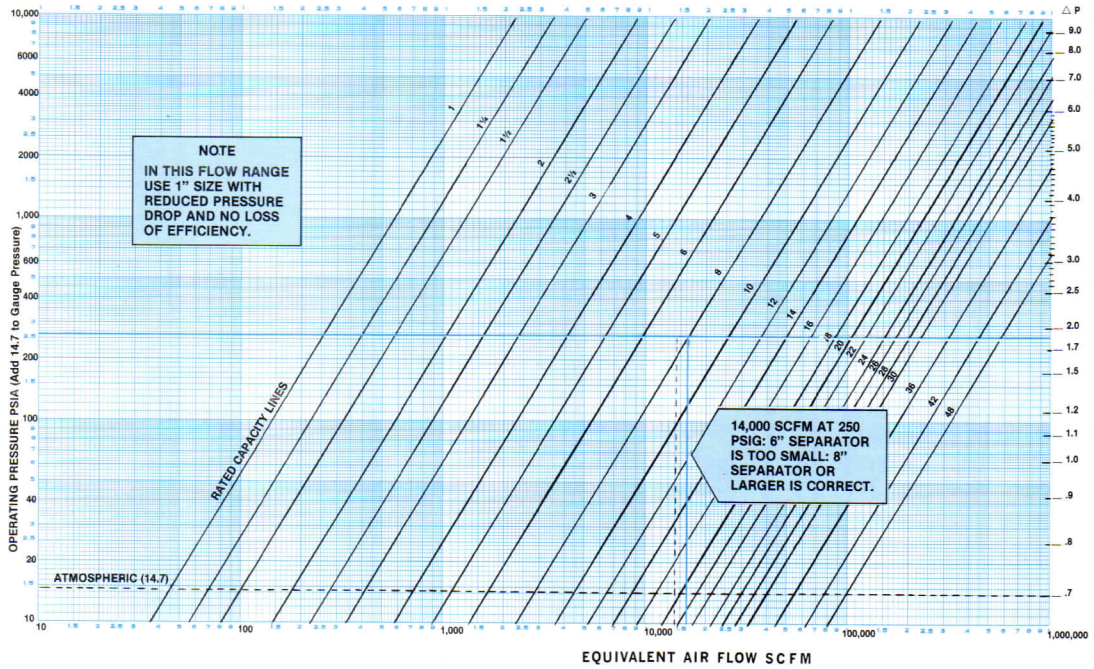
Ask for Technical Bulletin 544

AIR SELECTION AND CAPACITY CHART

for gas / liquid separators

The values below represent maximum recommended AIR FLOW IN STANDARD CUBIC FEET PER MINUTE through standard Wright-Austin separators.

Ask for Technical Bulletin 546



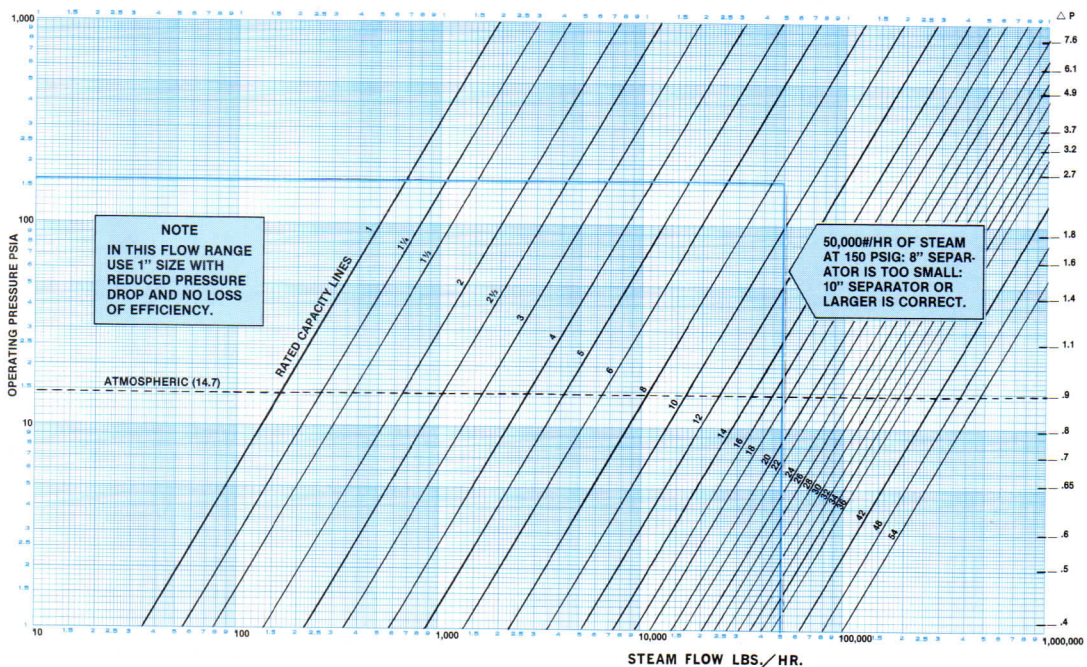
The Wright-Austin air flow chart is based on SCFM (cubic feet per minute of air measured at standard conditions of 14.7 psia and 60°F). If any of the operating conditions are varied from the above, request TB546 showing correction factors, conversions and pressure drop.

STEAM SELECTION AND CAPACITY CHART

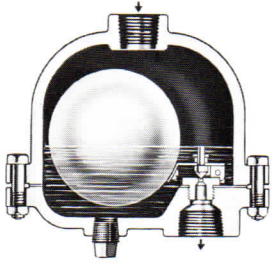
for steam/condensate separators

The values below represent maximum recommended STEAM FLOW (SATURATED) IN LBS. PER HOUR through standard Wright-Austin separators.

Ask for Technical Bulletin 547



FLOAT & BUCKET DRAIN TRAPS for Air & Gas Service

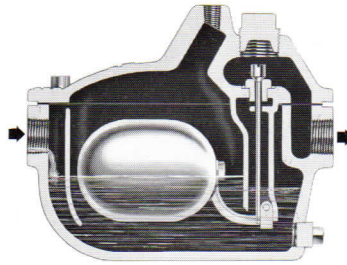


**MODEL "90-AC"
SERIES (0 to 250 PSI)**

Body and cover are cast iron or bronze. Internal parts, including valve and seat, are corrosion resistant, non-magnetic, stainless steel. Positive water seal prevents loss of air or gas. Pipe size 3/4 inch.

Also available MODEL 95AC in carbon or stainless steel (0 to 250 PSI) Pipe size 1 inch.

Ask for Technical Bulletin 569



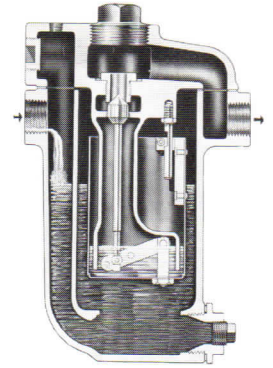
MODEL 230AC (0 to 125 PSI)

Designed for use with gummy emulsions of cylinder lubricants. Ample float power and large outward opening discharge valve prevent loss of air or gas pressure.

Body and cover are cast iron or bronze. Working parts are attached to cover for easy removal. No priming required.

Also available, MODEL 230 ACH with thermostatic heating element. Pipe sizes 3/4 and 1 inch.

Ask for Technical Bulletin 569



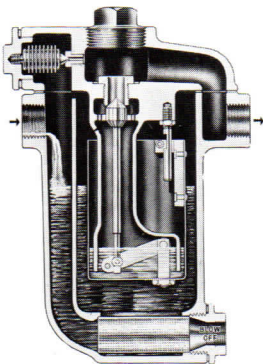
MODEL 500AC SERIES

(Five models in cast iron or brass)

Automatically collects and discharges condensate from air or gas lines at pressures 3 to 300 PSI. Easy in-line installation. Rust resistant construction. Easy servicing. Available in 3/4 to 2 inch sizes, threaded.

Ask for Technical Bulletin 568

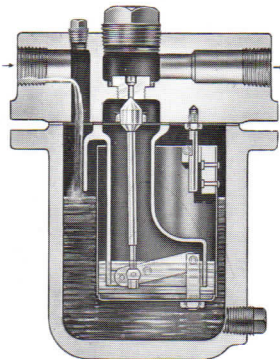
BUCKET & FLOAT DRAIN TRAPS for Steam Service



MODEL 500-C SERIES

Available with body and cover of cast iron or bronze, ground stainless steel, threaded inserts for thermostat and main orifices. Removable monel strainer and thermostat. Give you faster warm-ups, more efficient discharge of air and condensate. Compact, space saving design. Complete accessibility of all parts without removal from line. (0.5 to 200 PSI) 3/4 to 2 inch pipe sizes.

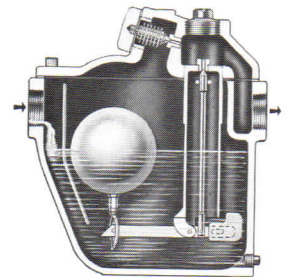
Ask for Technical Bulletin 560



**MODEL 70 & 100 SERIES
(0 to 700 PSI)
Carbon Steel or Stainless Steel**

Used extensively by U.S. Navy because of reliability, efficiency and high safety factor. Maintains deep water seal. Easily inspected or serviced without removal from line. Available in 3/4 to 2 inch pipe sizes. Straight-line NPT or SW connections save time and installation cost.

Ask for Technical Bulletins 565 & 566

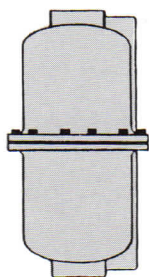


MODEL 300 C SERIES

A high capacity, small size trap easily installed and supported in-line. Thermostatic by-pass affords fast warm-up. Three valves open or close progressively as condensate volume varies. Automatically adapts to pressure up to 200 PSI. Unaffected by superheat, no throttling effect. All parts attached to cover for easy service. Available in 1 to 2-1/2 inch sizes, threaded.

Ask for Technical Bulletin 563

OTHER RELIABLE, USE-TESTED WRIGHT-AUSTIN PRODUCTS FOR EVERY REQUIREMENT

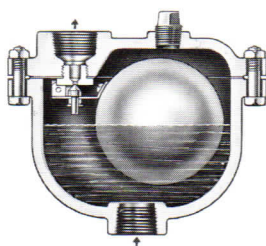


DRAINER TANKS

Cast Iron (160 PSI @ 450°F)
Cast Iron (250 PSI @ 450°F)
Cast Bronze (300 PSI @ 500°F)

Sizes from 0.1 to 1.5 cubic feet internal volume. Top inlet and bottom outlet connections are NPT, sizes from 1" to 2-1/2". In standard configuration they come with (2) 1/2" NPT level gauge connections. Additional connections available.

Ask for Technical Bulletin 567

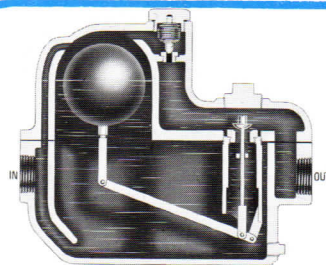


MODELS 90 & 95 AIR VENT TRAPS (0 to 250 PSI)

For removal of air from hot or cold water, or gasoline lines. Prevents damage due to vacuum during flow stoppage.

Available in cast iron, bronze, carbon or stainless steel. Internal parts stainless steel. Non-magnetic stainless valve and seat. Pipe sizes 3/4 or 1 inch.

Ask for Technical Bulletin 561

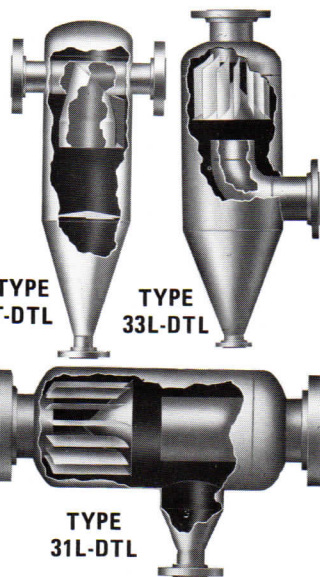


SERIES 400C "VICTOR" LOW PRESSURE DRAINERS

For Heavy Duty,
0 to 20 PSI Service

Available in 3/4 to 2 inch pipe sizes with thermostatic by-pass for faster warm-up. Extremely large valve orifice affords greater discharge capacity for thick gummy residues. Automatically adapts to pressure and flow changes. Straight line pipe connections cut installation time and cost.

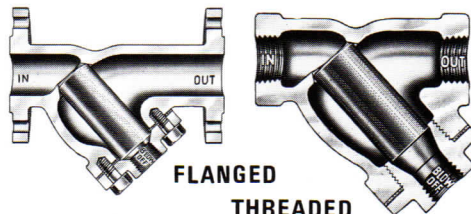
Ask for Technical Bulletin 564



"DTL" DRY TYPE SEPARATORS

Three models to meet your exact requirements. Available in fabricated steel or stainless steel, designed and built to meet ASME code for unfired vessels. Usable for gas or air at elevated pressures. Non-clogging, self-cleaning, no moving parts. Minimum pressure drop. Sizes 2 to 24 inches.

Ask for Technical Bulletin 537



FLANGED THREADED

"Y" TYPE STRAINERS FOR STEAM, AIR, GAS, OIL & WATER

Available in cast iron, bronze, carbon or stainless steel. Convenient, straight-through design, easy installation. Large corrosion resistant screen area for minimal pressure drop. Collected material easily removed. Sizes 1/4 to 24 inches. Threaded or flanged connections.

Ask for Technical Bulletin 562

LIQUID LEVEL GAGES

NO. 105 & 108 SELF CLEANING TYPE (0 to 200 PSIG)



Body polished brass, plastic insulated handles. Glass and guard rods furnished. Maximum rating 250 PSIG for steam, 400 PSIG for air and gas. 1/2 inch NPT thread connections.



NO. 31-A & 203 BALL CHECK TYPE (0 to 675 PSIG)

Built to ASME code. Valves have corrosion resistant ball checks to prevent loss of vessel contents in case of glass breakage. 1/2 inch NPT thread connections.



1 RL SERIES SIDE CONNECTION, CLOSE HOOK-UP, REFLEX TYPE

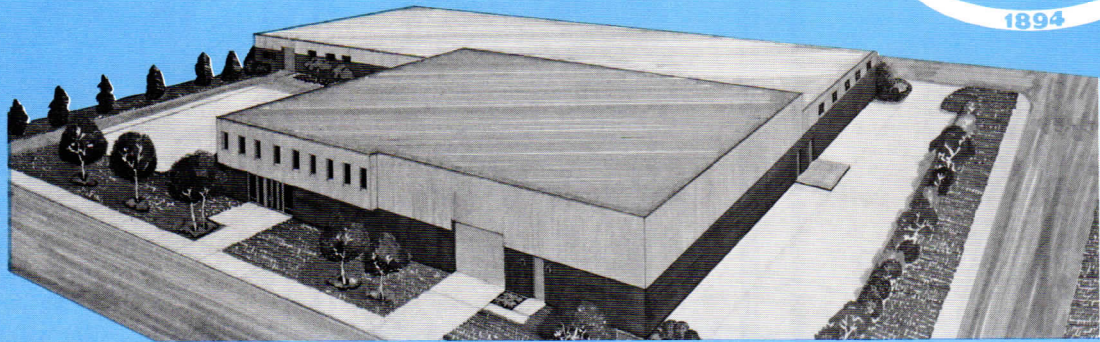
Exceptionally rugged, high pressure gages (0 to 2400 PSI at 100°F), (0 to 1300 PSI at 600°F). Made of non-warp steel. Meets A.I.S.I., ASTM & ASME requirements. Valves have stainless steel ball checks. NPT threaded connections.

For details on All Liquid Level Gages Ask for Technical Bulletin 559

WRIGHT-AUSTIN COMPANY

3250 Franklin Street • Detroit, Michigan 48207

Phone (313) 259-1925 • Fax (313) 259-1962



ENGINEERING REPRESENTATIVES

ALABAMA

Andress Engrg. Assoc.
131 Airpark Industrial Rd
Alabaster 35007
(205) 620-9777

ARIZONA

Filttemp Sales, Inc.
P.O. Box 15860
Phoenix 85060
(602) 243-4245

ARKANSAS

Power Equipment Co.
P.O. Box 460
No. Little Rock 72115
(501) 758-7148

CALIFORNIA

W. R. Ladewig Co.
P.O. Box 91-1010
Los Angeles 90091-1010
(213) 888-7766

Tempresco, Inc.
P.O. Box 2342
Dublin 94568
(510) 829-3400

COLORADO

GFR Technologies, Inc.
P.O. Box 164
Littleton 80120
(303) 979-2814

CONNECTICUT

Little, Inc.
P.O. Box 434
Stratford 06497
(203) 375-6651

FLORIDA

Seminole Equip. Sales
1215 Lakeview Road
Clearwater 34616
(813) 445-9007

GEORGIA

AWC Incorporated
1360 Union Hill Rd.
Alpharetta 30201
(770) 475-9255

HAWAII

Process Valve & Control
P.O. Box 17550
Honolulu 96817
(808) 834-7675

ILLINOIS

Miller Engrg. Specialties
8700 Waukegan Road
Room 115
Morton Grove 60053
(708) 965-6161

INDIANA

B & H Indl. Products
P.O. Box 68004
Indianapolis 46268
(317) 872-5806

KANSAS

Midwestern Engrd. Equip.
P.O. Box 7304
Overland Park 66207
(913) 491-4440

LOUISIANA

Fair Engineering Sales, Inc.
2022 Tamvest Ct.
Mandeville 70448
(504) 626-0077

MARYLAND

Koch/Associates, Inc.
P.O. Box 195
Cockeysville 21030
(410) 666-7400

MASSACHUSETTS

Gustavo Preston Co.
655 Boston Rd. Unit 1A
BillERICA 01821
(508) 663-5555

MICHIGAN

Agren-Ascher Co.
23411 Jefferson Ave.
St. Clair Shores 48080
(810) 773-2220

MINNESOTA

Swanson-FloSystems
9936 West 74th St.
Eden Prairie 55344
(612) 944-1005

MISSOURI

Ulmer Equipment Co.
1554 Fenpark Dr.
Fenton 63026
(314) 343-4606

NEBRASKA

H. G. Klug Co.
P.O. Box 4006
Benson Station
Omaha 68104
(402) 397-8910

NEW YORK

John N. Fehlinger
129 Fulton St.
New York 10038
(212) 233-5656

Kinequip, Inc.
365 Old Niagara Falls Blvd.
Buffalo, NY 14226
(716) 694-5000

Kinequip, Inc.
5858 E. Molloy Rd.
Syracuse 13211
(315) 454-4071

NORTH CAROLINA

P.A.C.E., Inc.
P.O. Box 560427
Charlotte 28256
(704) 376-8433

OHIO

BC Engineering Co.
P.O. Box 36389
Cincinnati 45236-0389
(513) 891-6122

C. W. Beck Company
P.O. Box 21127
Cleveland 44121
(216) 382-7777

OKLAHOMA

W. B. Hickman, Inc.
45 N.E. 51st St.
Oklahoma City 73105
(405) 528-3100

OREGON

Courtney & Nye, Inc.
P.O. Box 9
Hillsboro 97123
(503) 693-1221

PENNSYLVANIA

Edwin Elliot & Co.
P.O. Box 439
Lafayette Hill 19444
(610) 828-8940

Controlmatic Co.
850 Boyce Rd. - Ste. 9
Bridgeville 15017
(412) 257-8940

SOUTH CAROLINA

P.A.C.E., Inc.
P.O. Box 5792, Sta. B
Greenville 29606
(803) 242-5833

TENNESSEE

Abernathy-Thomas Engrg.
P.O. NPC 1493
Kingsport 37662
(615) 245-6151

Power Equipment Co.
P.O. Box 22007
Memphis 38122
(901) 327-8261

TEXAS

Hatfield & Co.
11922 Cutten Rd.
Houston 77066
(713) 893-8870

Hatfield & Co.
7418 College St.
Beaumont 77707
(409) 866-6467

J. W. Sayles & Assoc.
10632 Control Place
Dallas 75238
(214) 349-1186

UTAH

Folsom Associates
1815 W. 2300 South
Salt Lake City 84126
(801) 972-4600

VIRGINIA

Frank Howell Co., Inc.
P.O. Box 35043
Richmond 23235
(804) 560-0111

WASHINGTON

Courtney & Nye
P.O. Box 219
Kent 98035-0219
(206) 813-2144

WEST VIRGINIA

Controlmatic Co.
850 Boyce Rd. - Ste. 9
Bridgeville, PA 15017
(412) 257-8940

WISCONSIN

Howard E. Myers
N367 Camp Awana Rd.
Random Lake 53075
(414) 692-9714

CANADA

Altech Sales Ltd.
#130-8818-111 Street
Ft. Saskatchewan, Alberta T8L3T4
(403) 992-1700

K & A Equipment, Inc.
Box 3430, Station "B"
Saint John, N.B. E2M 4X9
(506) 672-1035

Makinson Winchester Ltd.
5100 St. Francois Road
Montreal, Quebec H4S 1J8
(514) 334-1050

MRI Sales Western, Inc.
Bay 17, 7003 - 30th St. S.E.
Calgary, Alb. T2C 1N6
(403) 279-2665

Olympic International
Agencies, Ltd.
344 Harbour Avenue
N. Vancouver, B.C. V7J 2E9
(604) 986-1400

Saskatoon Boiler Mfg. Co.
2011 Quebec Ave. North
Saskatoon, Sask. S7K 1W5
(306) 652-7022

Michael Stuart Co., Ltd.
51 A Caldari Rd., Unit 9
Concord, Ont. L4K 4G3
(905) 738-6008

Wright-Austin Limited
P. O. Box 7267
Windsor, Ont. N9C 3Z1
(519) 255-9740

FOREIGN

Wright-Austin Export Dept.
520 Meadow Road
Winnetka 60093
(407) 745-2465

GREAT BRITAIN

Vee Bee Limited
Old Wharf Rd., Stourbridge
W. Midlands, U.K. DY8 4LS
Phone: 44-384-378884
FAX: 44-384-374179

AUSTRALIA

Industrial Pipeline Products
P.O. Box 405
North Balwyn, Vic. 3104
Phone: 61-389-87701
FAX: 61-389-87632