

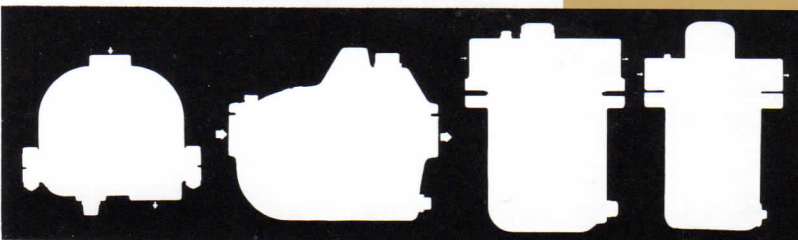
WRIGHT-AUSTIN TRAPS

*for compressed air
and gas service*

Wright-Austin traps have been an industry standard since 1894. Those described here are designed to efficiently handle, without loss of line pressure, the draining of condensate removed from air or gas lines by separators or the condensate which accumulates in storage tanks or drip points.

These traps are capable of removing up to 30,900 pounds of condensate per hour from lines carrying pressures from .5 PSI to 700 PSI.

We also design and build special traps for your unusual applications.



REPRESENTATIVE

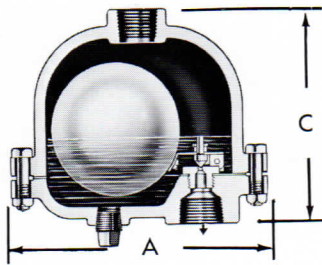
WRIGHT-AUSTIN COMPANY

DETROIT, MICHIGAN 48207

MANUFACTURERS OF
GAS/LIQUID SEPARATORS
EXHAUST HEADS
TRAPS, STRAINERS & AIR VENTS

FLOAT DRAIN TRAPS

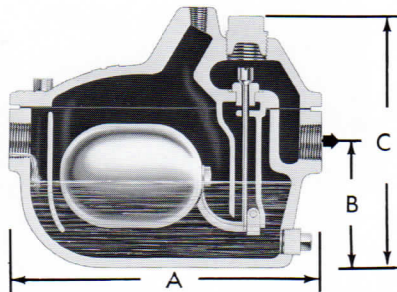
for compressed air and gas service



MODEL 90-AC (0 to 250 PSI)
MODEL 90AC-SI-SO
(Side Inlet & Side Outlet)

Loss of air or gas is prevented by a positive water seal. Internal parts, including valve and seat are corrosion resistant, non-magnetic stainless steel. Body and cover are cast iron or bronze. All working parts are attached to the base for easy removal and inspection.

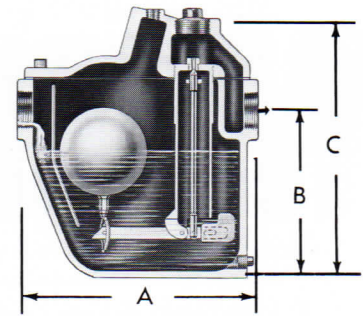
MODEL 95-AC (0 to 250 PSI) in carbon or stainless steel.



MODEL 230-AC (0 to 125 PSI)

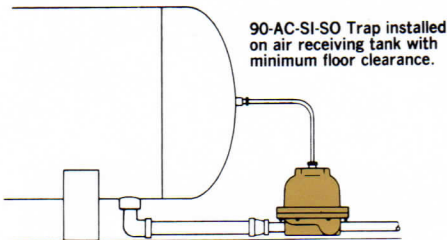
Ideal for use where gummy emulsions of cylinder lubricants make other traps inoperative. Ample float power and large outward opening discharge valve prevents loss of pressure, air or gas. Internal parts, stainless steel including non-magnetic valve and seat. Body and cover are cast iron or bronze. Working parts are attached to cover for removal without disconnecting trap from line. No priming required.

MODEL 230-ACH with thermo-static heating element available, see page 4.

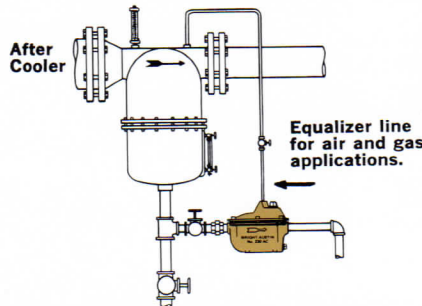


SERIES 300-AC (0 to 200 PSI)*

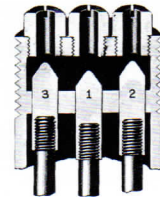
THREE-TRAPS-IN-ONE. The three valves open or close progressively as the amount of condensate varies. Designed for applications where there is a large variation in condensate flow or when an excessive amount of cold gummy emulsion of water and cylinder lubricant makes trap operation uncertain. Body and cover are cast iron or bronze. Valves, valve seats and float are stainless steel. Other internal parts are brass. All working parts are attached to cover for easy removal. No priming required.



90-AC-SI-SO Trap installed on air receiving tank with minimum floor clearance.



* Install with equalizer line as shown at left.



All valves open extremely fast in 1-2-3 order.

CAPACITIES pounds per hour 70°F condensate

Differential Pressure (psi) Specify on Order

TRAP NO.	ORIFICE DIAMETER	5	10	25	50	75	100	125	150	175	200	250
90 AC & 90-AC-SI-SO	5/32"	292	434	790	1273							
	1/8"	178	266	502	785	970	1130					
	3/32"	97	147	265	427	545	625	697	760			
	5/64"	68	101	198	299	382	435	487	530	570	590	650
95-AC	5/32"	292	434	790	1273	1623	1850	2075	2250			
	1/8"	178	266	502	785	970	1130	1280	1370	1465	1550	
230-AC	3/32"	97	147	266	427	545	625	697	760	815	870	965
	7/32"	396	595	1075	1733	2205	2525	2800				
310-AC	100 PSI & UNDER											
	OVER 100 PSI											
310-AC	(3) 1/8"	(3) 3/32"	546	808	1464	2337	2985	3435	2085	2280	2445	2610
320-AC	(3) 9/64"	(3) 1/8"	702	1050	1804	2992	3787	4350	3825	4125	4410	4740
330-AC	(3) 5/32"	(3) 9/64"	877	1302	2370	3819	4867	5550	4860	5280	5400	6000
340-AC	(3) 3/16"	(3) 5/32"	1189	1785	3226	5201	6615	7575	6225	6750	7200	7400
350-AC	(3) 1/4"	(3) 7/32"	2145	3255	5771	9291	11827	13575	11625	12600	13650	14400
370-AC	(3) 3/8"	(3) 5/16"	4680	7140	12907	20662	26362	30000	24750	27000	29100	30900

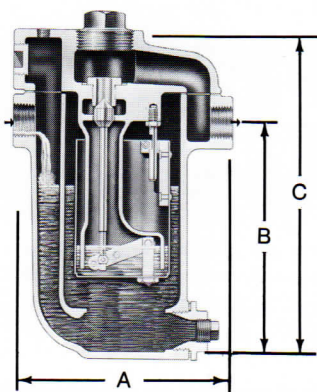
TRAP NO.	PIPE CONNECTIONS (NPT)	DIMENSIONS (Inches)				WEIGHT	LBS.
		(Length)	(Centerline to bottom)	(Height)	WIDTH		
		A	B	C		CAST IRON	CAST BRONZE
90-AC	3/4"	6-1/8		4-7/8	5-1/8	9#	10#
90-AC-SI-SO	1/2"	6-1/8		5-3/4	5-1/8	10	
95-AC	1"	7		6-1/8	6-1/8	15	
230-AC	1"	9	3-5/8	7-1/2	5-3/4	19	28
310-AC	1"	9-1/4	5-3/4	9	6-1/2	28	30
320-AC	1-1/4"	10-1/4	6-3/8	10-1/8	6-5/8	40	42
330-AC	1-1/2"	10-3/4	7-5/8	12	7-1/8	42	
340-AC	2"	11-3/4	7-5/8	12-1/8	7-7/8	54	
350-AC	2"	14-3/8	8-1/2	14-1/4	9-1/4	73	
370-AC	2-1/2"	16-3/4	10-1/8	15-3/4	11-3/4	109	

SUGGESTED SPECIFICATION:
FLOAT TRAPS FOR LOW AND MEDIUM PRESSURE COMPRESSED AIR LINES AND EQUIPMENT DRAINS (0-200 PSI)

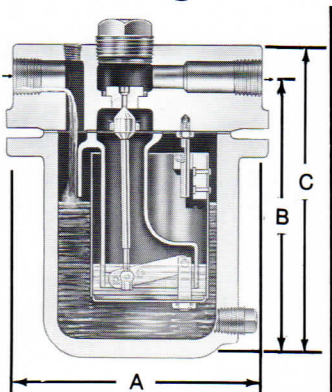
Traps shall be continuous drainer, float type with horizontal straight-through threaded connections (Nos. 90 and 95-AC are vertical installation and downflow discharge). All designs require no priming and the internal parts are attached to and removed with cover without disconnecting trap from line. Body and cover to be ASTM-A278 cast iron or bronze with corrosion-resistant stainless steel, non-magnetic hard chrome-nickel valves and seats.

BUCKET DRAIN TRAPS

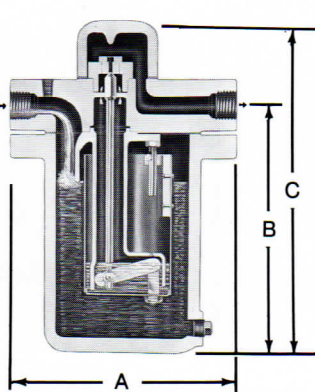
for compressed air and gas service



MODELS 500-AC THRU 540-AC CAST IRON OR BRASS



MODELS 71-AC & 72-AC CARBON OR STAINLESS STEEL



MODELS 101-AC & 103-AC CARBON OR STAINLESS STEEL

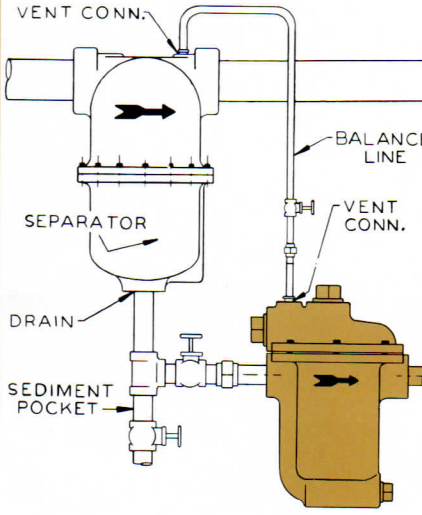
These bucket drain traps provide for discharging condensate which has been separated from air and gas lines of pressures ranging up to 700 PSI.

Inlet and outlet connections are in-line for easy installation. Operating buckets are of stainless steel and have snap action to provide a secure valve seal after emptying. The main orifice through which air and condensate are discharged is accessible by removing the plug at the top. The valve seat is ground stainless steel, slotted and easily removed for replacement with a different size.

Internal mechanism, on 500 series, is attached to and removed with the cover. Thus, the body need not be removed from the line for service or inspection.

TYPICAL INSTALLATION

When installing trap, fill body with water through inlet. This may be accomplished by closing the isolation valves to the trap for a period of time and permitting liquid to build up in the drain line. Provide balance line between trap and separator. For positive drainage of separator, install trap a minimum of 6" below separator drain. For every inch of horizontal piping to trap, add one inch to the vertical piping. Do not reduce separator drain size except at trap inlet.



Trap orifices and capacities – based on maximum continuous discharge pounds per hour 70°F condensate

Diff. Press. (PSI)	TRAP MODEL (Specify Orifice Size)																	
	500-AC		510-AC		520-AC		530-AC		540-AC		71-AC		72-AC		101-AC		103-AC	
	Orif.	Cap.	Orif.	Cap.	Orif.	Cap.	Orif.	Cap.	Orif.	Cap.	Orif.	Cap.	Orif.	Cap.	Orif.	Cap.	Orif.	Cap.
3	9/32	660	3/8	1125	9/16	2550	9/16	2550	1	7920	1/2	2040	1/2	2040	5/16	834	5/16	834
5	7/32	552	3/8	1560	1/2	2860	9/16	3575	7/8	8320	1/2	2860	1/2	2860	5/16	1157	5/16	1157
10	3/16	595	9/16	1715	7/16	3290	9/16	5530	3/4	9450	1/2	4340	1/2	4340	5/16	1715	5/16	1715
20	9/64	540	1/4	1680	3/8	3760	7/16	5200	5/8	10800	3/8	3760	1/2	6860	5/16	2752	5/16	2752
50	3/32	427	5/32	1273	7/32	2422	5/16	5082	7/16	9500	7/32	2422	5/16	5082	9/32	4018	5/16	5082
70	5/64	370	1/8	965	3/16	2150	1/4	3800	3/8	8500	3/16	2150	9/32	4950	9/32	4950	5/16	6300
100	5/64	435	3/32	625	5/32	1850	3/16	2525	9/32	5850	5/32	1850	7/32	3475	#3	3300	9/32	5800
120	1/16	315	3/32	685	9/64	1590	3/16	2750	1/4	4950	9/64	1590	3/16	2750	#14	2590	#2	3825
150	1/16	350	5/64	530	1/8	1375	5/32	2250	1/4	5450	1/8	1375	5/32	2250	#21	2300	#2	4400
200			1/16	400	3/32	870	9/64	2000	7/32	4800	3/32	870	9/64	2000	#28	2000	#14	3400
250			1/16	445	3/32	965	9/64	2240	3/16	3900	3/32	965	1/8	1750	#32	1700	#17	3500
300					3/32	1060	9/64	2450	3/16	4200	3/32	1060	1/8	1950	#38	1285	#17	3650
350											5/64	810	1/8	2025	#38	1475	#25	3000
400											5/64	903	3/32	1300	#38	1525	#25	3145
450															#41	1200	#28	2570
500															#46	1000	#32	2100
600															#46	1050	#32	2250
700															#46	1175	#38	1870

DIMENSIONS (Inches)

TRAP NO.	500-AC	510-AC	520-AC	530-AC	540-AC	71-AC	72-AC	101-AC	103-AC
PIPE SIZE	3/4	1	1-1/4	1-1/2	2	1	1	3/4	1-1/4
VENT CONN.	1/4	1/4	1/4	1/4	1/4	1/4	1/4	1/4	1/4
BLOW OFF	3/8	1/2	3/4	1	1	1/2	1/2	1/2	1/2
WEIGHT	8#	10#	19#	27#	40#	30#	33#	40#	75#
WIDTH	4-1/16"	5	5-5/8	5-7/8	6-3/4	7	7	7	9-3/8
A	5	5-3/4	7	7-3/8	8-1/4	6-5/8	6-5/8	6-3/4	9-1/4
B	4-1/2	6-1/8	6-7/8	8-7/8	11	8	10	9-1/4	11-3/4
C	7	8-7/8	10-1/8	12-1/2	15	8-7/8	10-7/8	12-3/4	15-1/2

SUGGESTED SPECIFICATION:

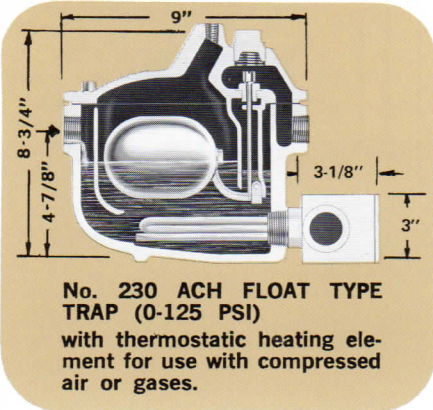
BUCKET OR OPEN FLOAT TRAPS FOR LOW, MEDIUM AND HIGH PRESSURE COMPRESSED AIR SERVICE (3-700 PSI)

Traps shall be vertical bucket type with horizontal straight-line inlet and outlet pipe connections. All working parts shall be corrosion-resistant stainless steel, including non-magnetic, hard chrome-nickel valves and seats, which are removable with cover without disturbing line connections. Valve seat is interchangeable and can be inspected or replaced without taking trap apart.

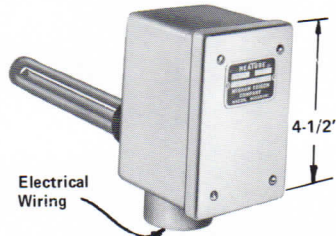


WRIGHT-AUSTIN offers a complete line of gas/liquid separation equipment

No. 230 ACH TRAP WITH HEATING ELEMENT



No. 230 ACH FLOAT TYPE TRAP (0-125 PSI)
with thermostatic heating element for use with compressed air or gases.

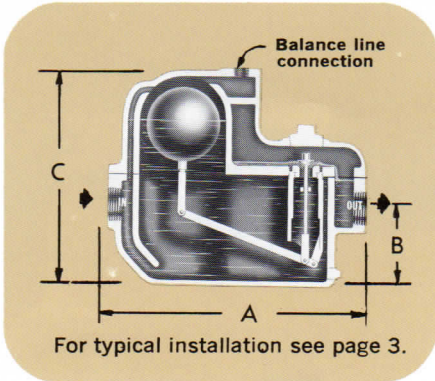


No. TPC-50 HEATING ELEMENTS

500 watts and 100 watts - 120 volts Range 50° to 250° F. Remove cover of moisture resistant box to select temperature and set thermostat dial.

This is our popular No. 230AC trap with a thermostatically controlled heating element. It is intended for use in draining liquids separated from compressed air and gases in outdoor applications where freezing is a possibility.

This heating element can also be inserted in the 340AC and 350AC models.



For typical installation see page 3.

SERIES 400AC FLOAT TYPE AIR TRAPS

CAPACITY POUNDS 70°F WATER PER HOUR
DIFFERENTIAL PRESSURE (PSI)

DIMENSIONS (Inches)

TRAP NO.	CAPACITY POUNDS 70°F WATER PER HOUR DIFFERENTIAL PRESSURE (PSI)									DIMENSIONS (Inches)					Wgt. Lbs.
	1	3	5	7	10	12	15	18	20	Threaded Conn's. NPT	A	B	C	Width	
410-AC	440	834	1157	1375	1715	1925	2250	2550	2760	3/4	9-5/8	4	9-5/8	6-5/8	34
420-AC	825	1530	2145	2600	3290	3680	4275	5015	5200	1	13	4-7/8	11-7/8	7-1/2	49
430-AC	1100	2040	2860	3450	4340	4850	5625	4830	6860	1-1/4	13-3/4	5-1/4	12-7/8	8-1/2	64
440-AC	1677	3120	4420	5340	6720	7550	8812	10000	10800	1-1/2	15-1/2	5-1/2	14	9-5/8	85
450-AC	3162	6120	8320	10170	12950	14520	16875	19010	20440	2	17-7/8	5-1/2	15	10-1/8	94

The "VICTOR" Series is a heavy-duty trap especially designed for low pressure service (0-20 PSI). Has large valve orifice to handle extremely large volumes of water or oil discharge.

GAS/LIQUID SEPARATORS - EXHAUST HEADS AIR - GAS - STEAM



30-L SERIES IN-LINE SEPARATOR (WITH BOUNDARY LAYER CONTROL SYSTEM)

Compact design requires minimum space. Centrifugal action and reverse flow assures high efficiency. * Request Bulletin 809.



"T" TYPE SEPARATOR

Easy installation with inline connections. Centrifugal principle assures high efficiency. * Request Bulletin 810.



TYPE 40EC EXHAUST HEAD

A ruggedly built, high efficiency unit with Boundary Layer Control. * Request Bulletin TB 538.



WRIGHT-AUSTIN COMPANY

WRIGHT-AUSTIN LIMITED
P.O. Box 7267
Windsor, Ontario N9C 3Z1
Phone: (519) 255-9740

GREAT BRITAIN
Vee Bee Limited
Old Wharf Rd., Stourbridge
W. Midlands, England DY8 4LS
Phone: 44 384 378884
Telex: 337757
FAX: 44 384 374179

GENERAL OFFICE
3250 Franklin St., Detroit, Mich. 48207
Tel. (313) 259-1925 FAX (313) 259-1962

EXPORT DEPARTMENT
360 N. Michigan Ave., Suite 911
Chicago, Illinois 60601
Phone: (312) 263-3747
FAX: (312) 263-0448