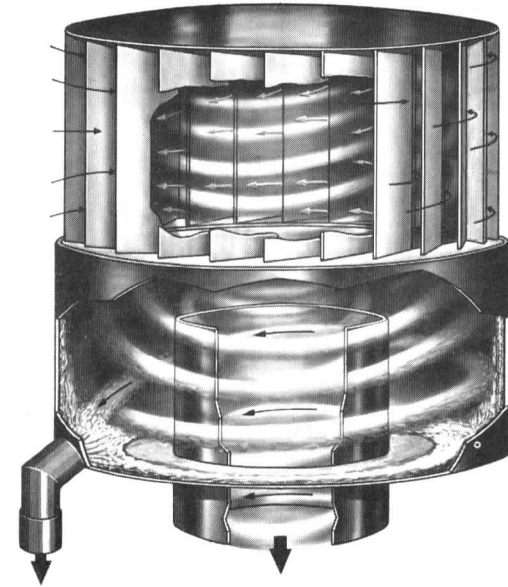
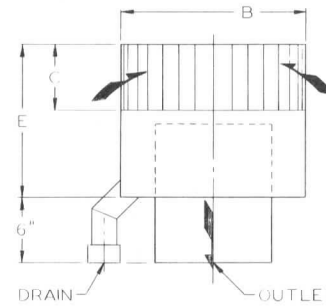
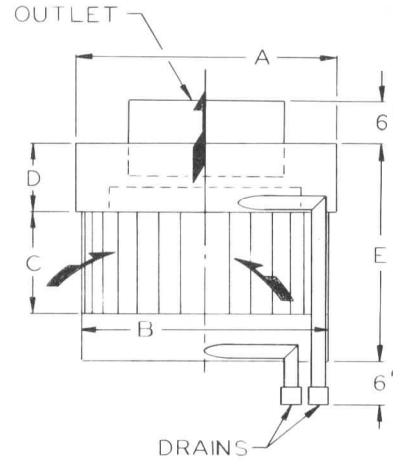
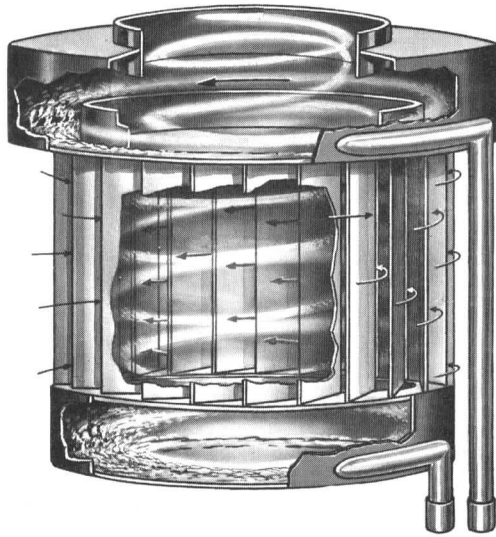


INTERNAL SEPARATOR

TYPE "60-I" (UPFLOW)

TYPE "70-I" (DOWNFLOW)



MATERIAL

Element constructed of carbon steel with 304L stainless steel blades.

Installation instructions and performance guarantee shown on reverse side.

CERTIFIED FOR DIMENSIONS

Effective August 1, 1993
Litho in U.S.A.

Pipe Size	A	B	C	D	E	Drain Npt. 60-I	Wgt. 60-I	Drain Npt. 70-I	Wgt. 70-I
3"	7"	5 1/8"	3"	2 1/2"	7"	3/4" ea.	16#	1 1/4"	15#
4"	8"	7"	2 1/4"	3"	7"	3/4"	20#	1 1/4"	18#
5"	9 1/2"	8 1/2"	3 1/4"	3"	8 1/2"	3/4"	30#	1 1/2"	27#
6"	11 1/2"	10 1/2"	4"	3 1/2"	10"	1"	40#	1 1/2"	35#
8"	15"	14"	5"	3 1/2"	11 1/4"	1 1/2"	60#	2"	55#
10"	18"	17"	6"	4 3/4"	14"	1 1/2"	85#	2"	80#
12"	21"	20"	6 1/2"	4 3/4"	15"	1 1/2"	115#	2 1/2"	110#
14"	23 1/2"	22 1/2"	9"	5"	18"	1 1/2"	145#	2 1/2"	135#
16"	26 1/2"	25 1/2"	11"	5"	20"	2"	185#	3"	145#
18"	29"	27 3/4"	12"	5"	21"	2"	210#	3"	160#
20"	31"	30"	15 1/2"	6"	25"	2 1/2"	270#	3"	210#
22"	33 1/2"	32 1/2"	17"	7"	27 1/2"	2 1/2"	310#	3"	240#
24"	36"	35"	17 1/2"	8"	30"	2 1/2"	350#	3"	275#
26"	39"	38"	18"	9"	32 1/2"	2 1/2"	455#	3"	340#
28"	42"	40"	18 1/2"	9 1/2"	35"	2 1/2"	575#	4"	385#

MAXIMUM CAPACITIES

Steam: Use 65% of steam flow (lbs/hr.) shown on Chart TB-547.

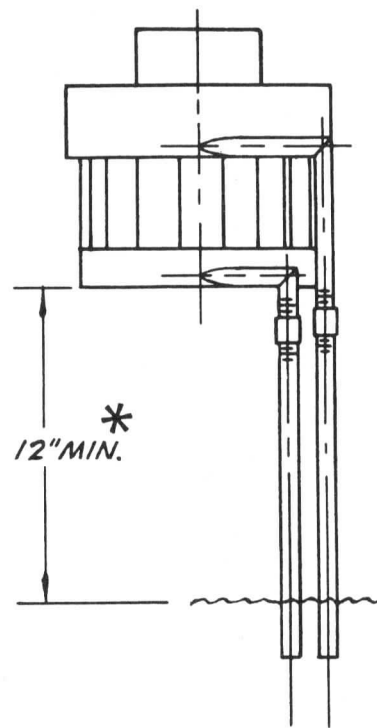
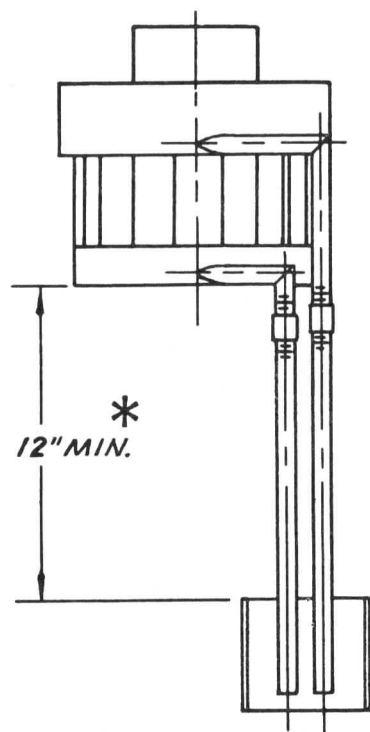
Air and Gas: Use 65% of equivalent air flow (SCFM) shown on Chart TB-546.

QUICK & DISCOUNTED PRICING
[CLICK HERE](#)
 OR CALL (908) 362-9981

TB 544H

INSTALLATION INSTRUCTIONS

*To operate effectively, the internal separator must be located at a minimum of 12 inches above the surface of the liquid, plus the pressure drop across the element in inches of water. The eject pipes, as shown in arrangements below must be sealed against any escaping vapor.



PERFORMANCE

The Wright-Austin internal separators when properly sized, installed and drained, will remove 99% of all liquid and solid entrainment where the particle size exceeds ten microns.